

---

## 2-String LED Driver with Built-In Color Temperature Compensation and Adaptive Headroom Control for High CRI LED Luminaires

### Features

---

- Dual-string LED driver for 2-color or unequal VF LEDs
- PWM dimming with 180° phase shift of LED strings
- Programmable look-up table for color temperature compensation
- Main LED string driven by linear current controller
  - Drives external N-channel MOSFET
  - $\pm 3\%$  current accuracy, no ripple current
  - Adaptively controls headroom of both AC/DC and DC/DC, isolated or non-isolated topology
  - Wide PWM dimming range with 12-bit precision
  - 8-bit DAC for peak current control
- Color-adjust LED string uses floating buck controller
  - Drives external N-channel MOSFET
  - Temperature color compensation using programmable look-up table
  - Over 100:1 dimming range with 8-bit precision
  - 8-bit DAC allows changing current sense threshold
  - Open and short LED protection
- Over-temperature fault detection
- Operates stand-alone or with a microcontroller
- Open-drain fault indicator output
- -40°C To +105°C operating temperature range

### Typical Applications

---

- General and Architectural Lamps
- High CRI LED Fixtures
- Down Lights and Recessed Lights
- PAR Lamps

# 1. Introduction

The MSL2021 LED driver for two-color systems includes a linear current controller for the main string, typically for white LEDs, and a second floating buck controller for a color-adjust LED string. Both the switching and linear controllers drive external MOSFETs to provide flexibility over a wide range of power levels (LED currents and voltages).

The MSL2021 adaptively manages the voltage powering the main LED string. A proprietary and patent pending efficiency optimizer (EO) algorithm controls the voltage output of both AC/DC and DC/DC, isolated or non-isolated topology, including ultra-low bandwidth single-stage PFC flyback controller.

The MSL2021 features peak current control and individual string PWM dimming, with the two strings driven at a 180° out of phase. The main LED string's current is ripple-free and has very high accuracy. The PWM dimming frequency for both LEDs strings is 400Hz to give a predictable and wide dimming range. A thermistor connection allows automatic compensation of luminous efficacy in a two-color LED fixture to maintain consistent color balance across temperature.

The MSL2021 operates from 9.5V to 15V input. The color-adjust string voltage regulation loop uses a constant off-time control algorithm to achieve stable control with good transient behavior. For flexibility of design, off-time is set with an external resistor. LED current in both the strings can be adjusted using internal 8-bit DACs.

The internal registers are I<sup>2</sup>C accessible. Integrated non-volatile EEPROM memory, also accessed through the I<sup>2</sup>C serial interface, allows configuration at final test in case that the factory default settings need to be modified.

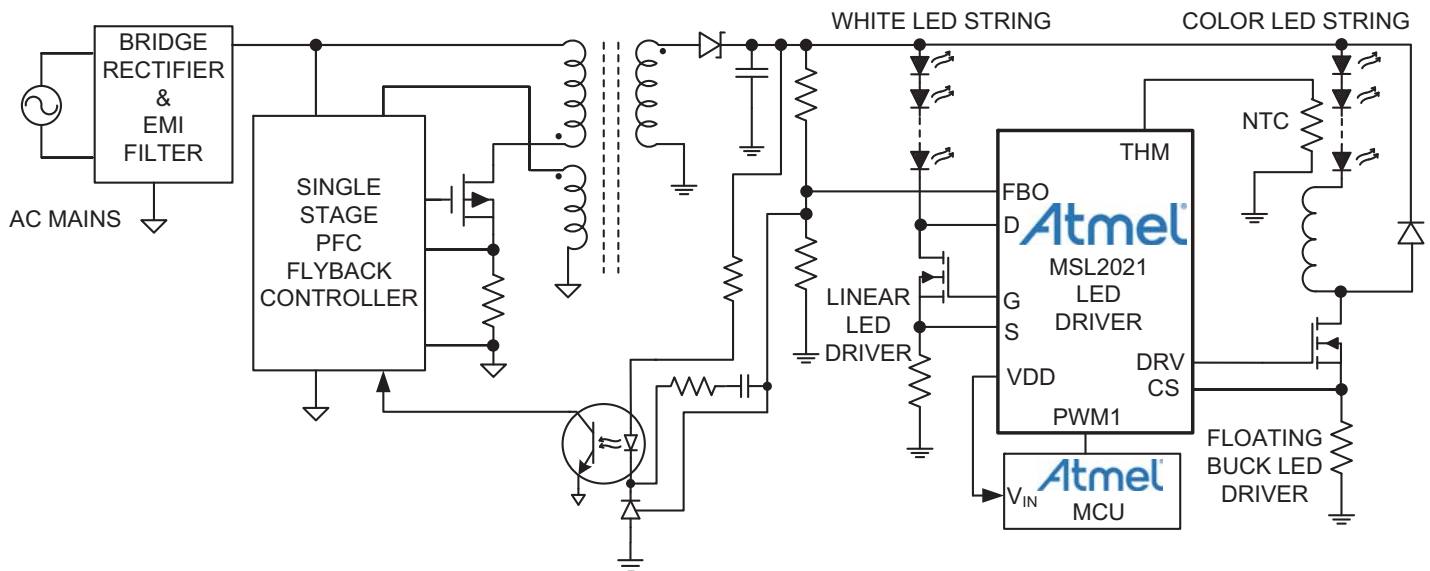
The MSL2021 is available in the space-saving 24-pin 4x4mm QFN package and operate over the extended -40°C to 105°C operating range.

# 2. Ordering Information

Ordering code	Description	Package <sup>(1)</sup>
MSL2021IN	Two String LED Driver	4 x 4mm 24-pin QFN

Note: 1. Lead-Free, Halogen-Free, RoHS Compliant Package

# 3. Application Circuit



## 4. Absolute Maximum Ratings

Voltage with respect to AGND		
AVIN, PVIN, EN		-0.3V to +16.5V
VCC, PWM, FLTB, SDA, SCL, TOFF, REXT, FBO		-0.3V to +5.5V
VDD		-0.3V to +2.75V
THM		-0.3V to VCC+0.3V
CS, S		-0.3V to VDD+0.3V
D		-0.3V to +22V
G, DRV		-0.3V to VIN+0.3V
PGND, AGND		-0.3V to +0.3V

Current (into pin)		
AVIN, PVIN, DRV, G (average)		100mA
PVIN (peak, =1% duty)		1A
DRV, G (peak, =1% duty)		±1A
PGND (peak, =1% duty)		-1A
AGND, PGND (average)		-100mA
All other pins		±10mA

Continuous Power Dissipation at 70°C		
24-Pin 4mm x 4mm VQFN (derate 21.8mW/°C above TA = +70°C)		1200mW

Ambient Operating Temperature Range		-40°C to +105°C
Junction Temperature		+125°C
Storage Temperature Range		-65°C to +125°C
Lead Soldering Temperature, 10s		+300°C

## 5. Electrical Characteristics

AVIN = PVIN = 12V,  $-40^{\circ}\text{C} \leq T_A \leq 105^{\circ}\text{C}$ , Typical Operating Circuit, unless otherwise noted.  
Typical values at  $T_A = +25^{\circ}\text{C}$ .

**Table 5-1. DC electrical characteristics**

Parameter	Conditions	Min.	Typ.	Max.	Unit
AVIN, PVIN Operating Supply Voltage		9.5	12	15	V
AVIN Operating Supply Current	LEDs on at PWM = 100%, serial interface idle		10		mA
AVIN Idle Supply Current	EN = SLEEP = 1, all digital inputs = 0		7	10	mA
PVIN Idle Supply Current	EN = SLEEP = 1, all digital inputs = 0		0		$\mu\text{A}$
AVIN Disable Supply Current	$V_{\text{EN}} = 0$ , all digital inputs = 0			5	$\mu\text{A}$
VCC Regulation Voltage	$I_{\text{VCC}} = 10\text{mA peak}^{(7)}$	4.5	5	5.5	V
VDD Regulation Voltage	$I_{\text{VDD}} = 10\text{mA peak}^{(7)}$	2.25	2.5	2.75	V
PWM, PWM1, PWM2, SCL, SDA Input High Voltage		$0.7 * V_{\text{VDD}}$			V
PWM, PWM1, PWM2, SCL, SDA Input Low Voltage				$0.3 * V_{\text{VDD}}$	V
EN Input High Voltage		2			V
EN Input Low Voltage				0.5	V
EN Input Hysteresis			100		mV
SDA, FLTB Output Low Voltage	Sinking 6mA			0.3	V
SCL, SDA, PWM, PWM1, PWM2, FLTB leakage current		-5		5	$\mu\text{A}$
S Current Sense Regulation Voltage	$T_A = 25^{\circ}\text{C}$ , MREF = 0x64	194	200	206	mV
S Current Sense Regulation Voltage Accuracy	Main string at 100% duty cycle, $T_A = 25^{\circ}\text{C}$ , MREF = 0x64	-3		+3	%
S Current Sense Regulation Voltage Temperature Coefficient			-220		ppm/ $^{\circ}\text{C}$
G Maximum Output Voltage		AVIN – 3.5	9.5	AVIN – 2.0	V
D Regulation Threshold	E0CTRL = 0xE5	0.9	1	1.1	V
CS Current Sense Regulation Voltage	CAREF = 0x64		200		mV
DRV Impedance	$V_{\text{DRV}} = 12\text{V}$ , $I_{\text{DRV}} = 20\text{mA}$		5.6	9	$\Omega$
	$V_{\text{DRV}} = 0\text{V}$ , $I_{\text{DRV}} = -20\text{mA}$		5.6	9	$\Omega$
FBO Full Scale Current		170	255	340	$\mu\text{A}$

Parameter	Conditions	Min.	Typ.	Max.	Unit
FBO LSB Current			1.0		μA
THM Source Current			100		μA
THM Voltage Range		0		1.5	V
Thermal Shutdown Temperature	Temperature rising		133		°C
Thermal Shutdown Hysteresis			15		°C

**Table 5-2. AC electrical characteristics**

Parameter	Conditions	Min.	Typ.	Max.	Unit
DRV t <sub>OFF</sub> timing	R <sub>TOFF</sub> = 45.3kΩ		0.5		μs
PWM Input Frequency	(8)	60		10,000	Hz
PWM Duty Cycle		1		100	%
PWM Duty Cycle Resolution	MSL2021		0.4		%

**Table 5-3. I<sup>2</sup>C switching characteristics**

Parameter	Symbol	Conditions	Min.	Typ.	Max.	Unit
SCL Clock Frequency		(1)	0.05		1,000	kHz
STOP to START Condition Bus Free Time	t <sub>BUF</sub>		0.5			μs
Repeated START condition Hold Time	t <sub>HD:STA</sub>		0.26			μs
Repeated START condition Setup Time	t <sub>SU:STA</sub>		0.26			μs
STOP Condition Setup Time	t <sub>SU:STOP</sub>		0.26			μs
SDA Data Hold Time	t <sub>HD:DAT</sub>		5			ns
SDA Data Valid Acknowledge Time		(2)	0.05		0.55	μs
SDA Data Valid Time		(3)	0.05		0.55	μs
SDA Data Set-Up Time	t <sub>SU:DAT</sub>		100			ns
SCL Clock Low Period	t <sub>LOW</sub>		0.5			μs
SCL Clock High Period	t <sub>HIGH</sub>		0.26			μs
SDA, SCL Fall Time	t <sub>F</sub>	(4)(5)			120	ns
SDA, SCL Rise Time	t <sub>R</sub>				120	ns
SDA, SCL Input Suppression Filter Period		(6)		50		ns
Bus Timeout	t <sub>TIMEOUT</sub>	(1)		25		ms

- Notes:
1. Minimum SCL clock frequency is limited by the bus timeout feature, which resets the serial bus interface when either SDA or SCL is held low for t<sub>TIMEOUT</sub>.
  2. SDA Data Valid Acknowledge Time is SCL LOW to SDA (out) LOW acknowledge time.
  3. SDA Data Valid Time is minimum SDA output data-valid time following SCL LOW transition.
  4. A master device must internally provide an SDA hold time of at least 300ns to ensure an SCL low state.

5. The maximum SDA and SCL rise times is 300ns. The maximum SDA fall time is 250ns. This allows series protection resistors to be connected between SDA and SCL inputs and the SDA/SCL bus lines without exceeding the maximum allowable rise time.
6. Includes input filters on SDA and SCL that suppress noise less than 50ns.
7. Additional decoupling may be required when pulling current from VCC and/or VDD in noisy environments.
8. 2 $\mu$ s minimum on time for main LED string PWM dimming.

## Typical Operating Characteristics

Figure 5-1. Start-up behavior, PWM = 10% duty cycle (Test conditions).

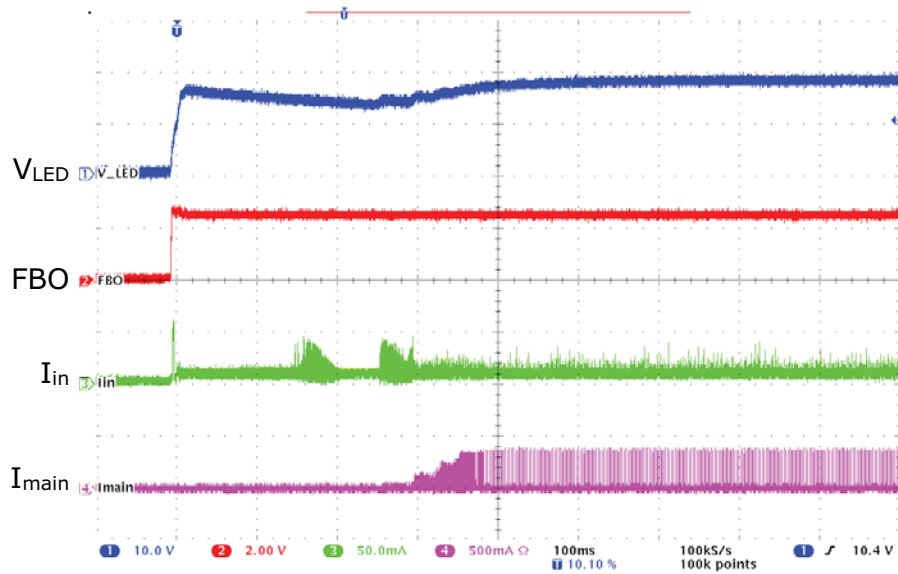


Figure 5-2. Start-up behavior, PWM = 90% duty cycle (Test conditions).



Figure 5-3. Normal operation, PWM = 10% duty cycle (Test conditions).

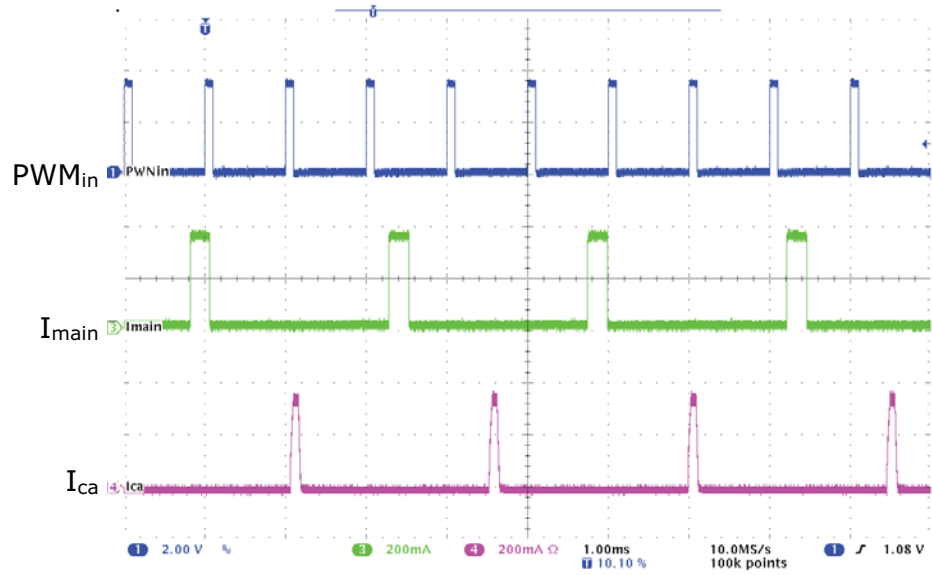


Figure 5-4. Normal operation, PWM = 90% duty cycle (Test conditions).

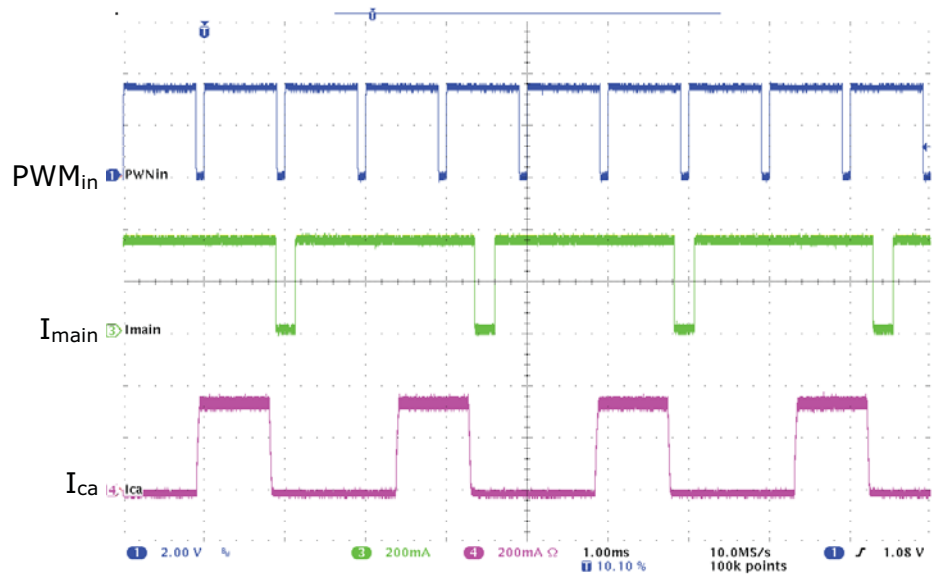


Figure 5-5. Fault response, string open circuit (Test conditions).

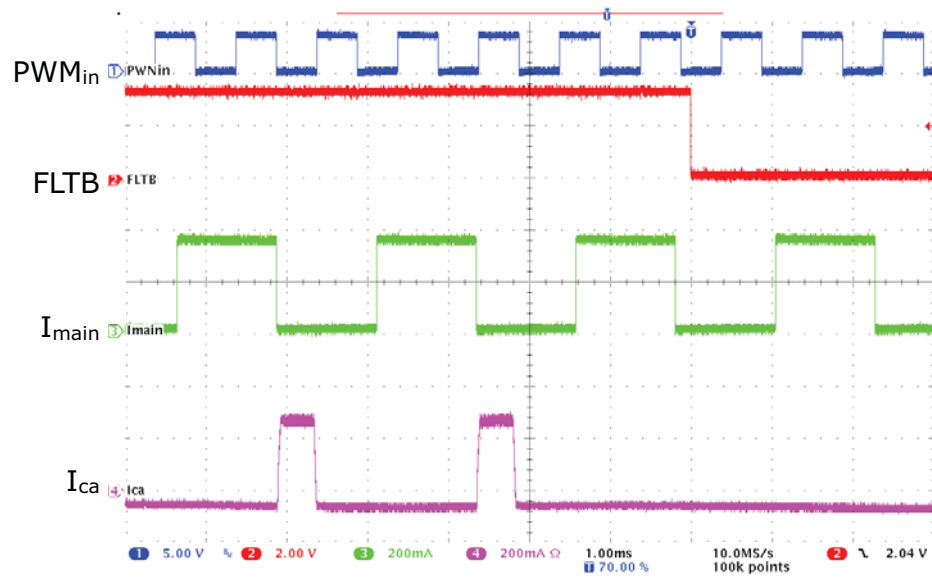


Figure 5-6. Fault response, LED short circuit (Test conditions).

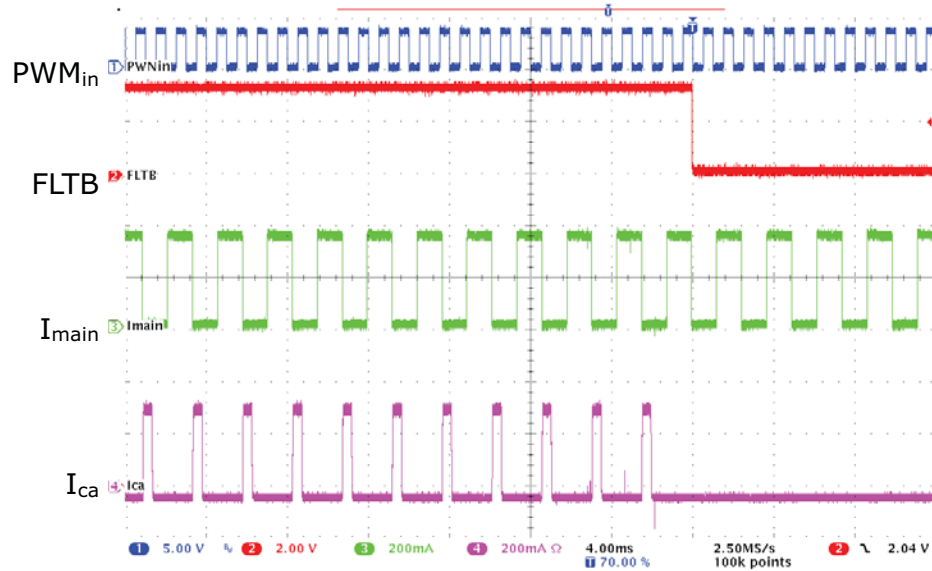




Figure 5-7. Input current vs. input voltage

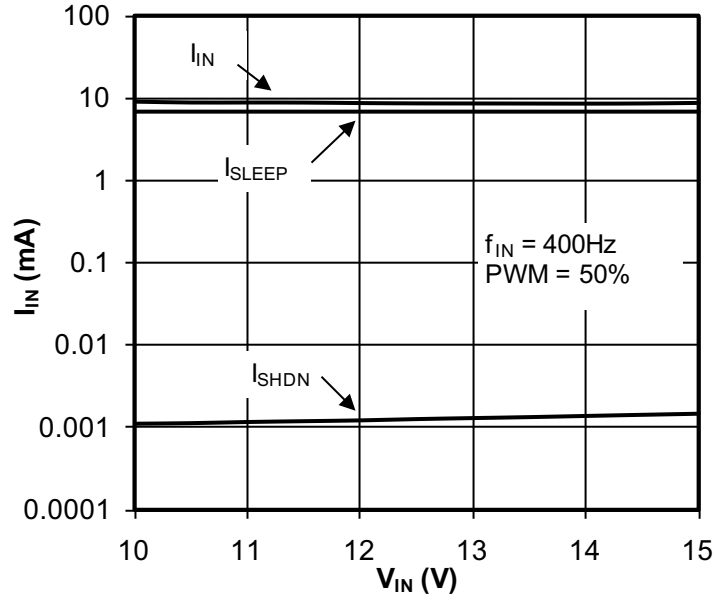


Figure 5-8. Average LED current vs. input PWM duty cycle

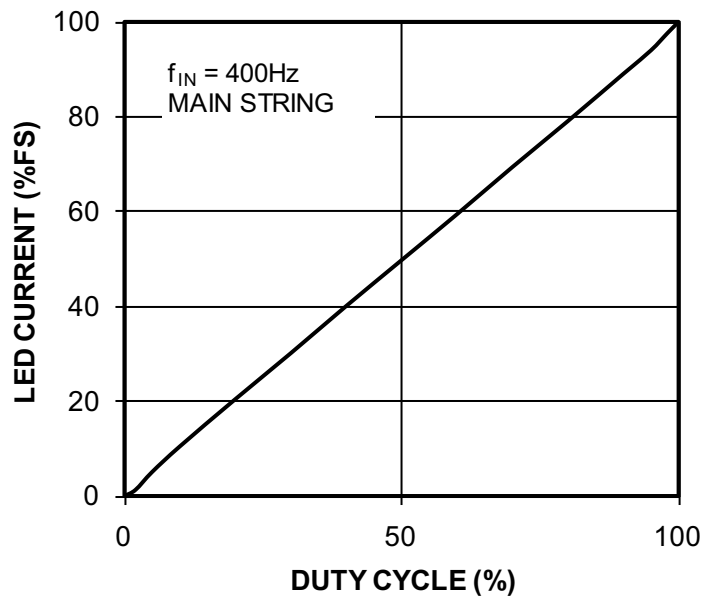
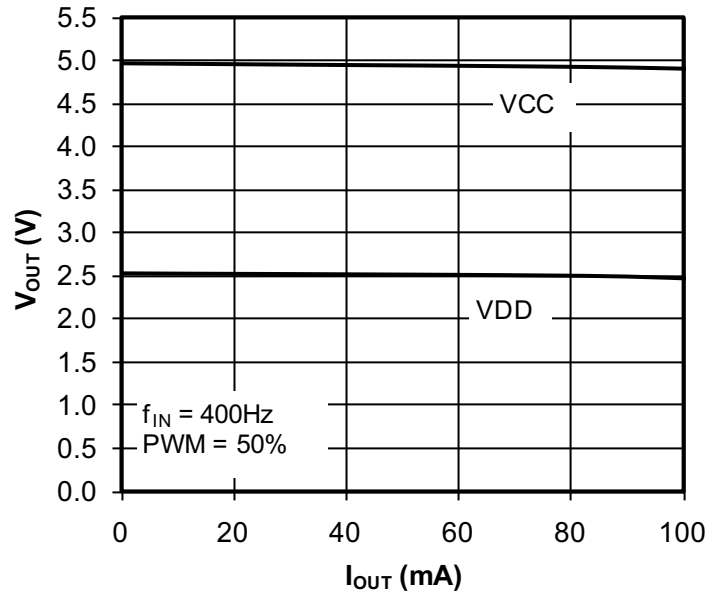
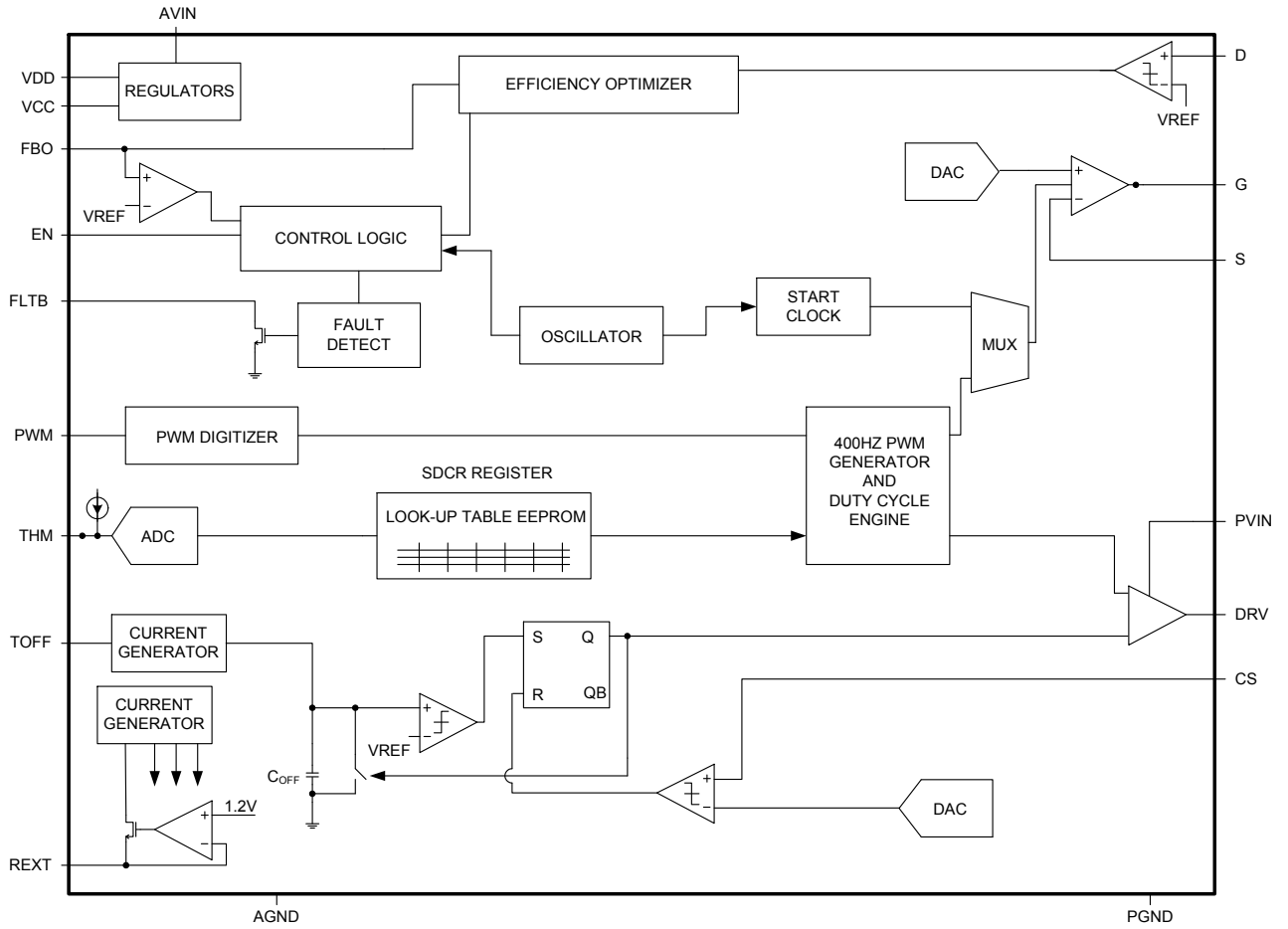


Figure 5-9.  $V_{CC}$  and  $V_{DD}$  regulation



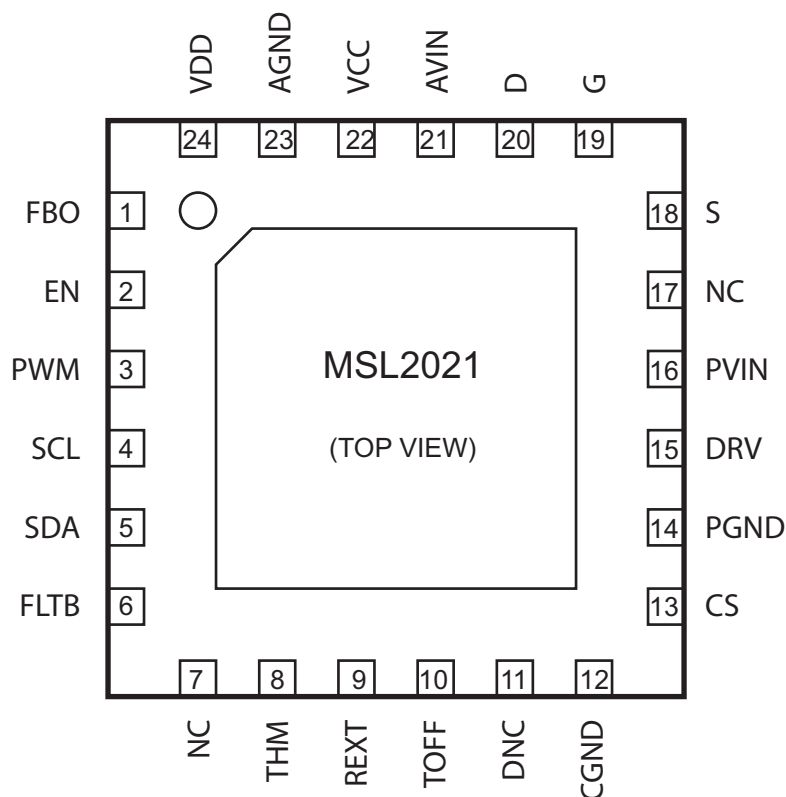
## 6. Block Diagram

Figure 6-1. MSL2021 block diagram



## 7. Pinout and Pin Description

### 7.1 Pinout MSL2021



### 7.2 Pin Descriptions

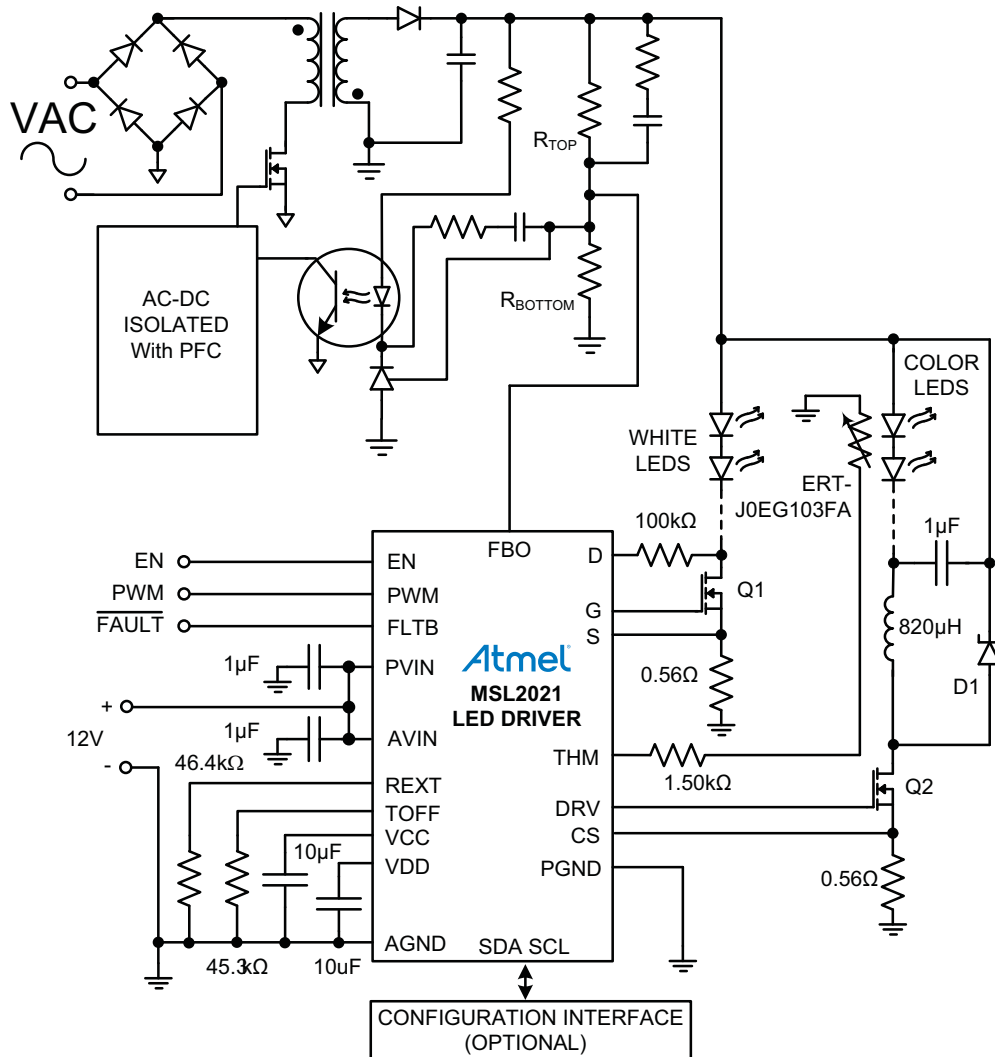
Name	Pin	Description
<b>FBO</b>	1	<b>Feedback Output</b> Feedback output from Efficiency Optimizer. Connect FBO to the LED power supply regulation feedback node to control $V_{LED}$ . When unused connect FBO to VCC.
<b>EN</b>	2	<b>Enable Input (Active High)</b> Drive EN high to turn on the MSL2021, drive EN low to turn it off. For automatic start-up connect EN to AVIN.
<b>PWM</b>	3	<b>PWM Dimming Input</b> Drive PWM with a pulse-width modulated signal to control LED brightness. See <a href="#">“PWM and LED Brightness” on page 20</a> for details.
<b>SCL</b>	4	<b>Serial Clock Input</b> SCL is the I <sup>2</sup> C serial interface clock input. See <a href="#">“I<sup>2</sup>C Serial Interface ” on page 31</a> details.
<b>SDA</b>	5	<b>Serial Data Input/Output</b> SDA is the I <sup>2</sup> C serial interface data I/O. See <a href="#">“I<sup>2</sup>C Serial Interface ” on page 31</a> details.
<b>FLTB</b>	6	<b>Fault Output (Open Drain, Active Low)</b> FLTB sinks current to AGND when a fault condition exists. Toggle EN low then high to clear FLTB, or clear faults through the serial interface (see <a href="#">“Fault Status register (FAULTSTAT, 0x23), Read Only” on page 29</a> ). Use the serial interface to access fault information and to enable/disable fault response.

Name	Pin	Description
NC	7, 17	<b>No Internal Connection</b>
THM	8	<b>NTC Thermistor Sensing Input</b> Connect a negative temperature coefficient thermistor (ERT-J0EG103FA or equivalent) from THM to AGND, in series with a 1.5kΩ resistor. Locate the thermistor close to the Color-Adjust LEDs to monitor their temperature. This allows the MSL2021 to automatically temperature compensate the Color-Adjust string brightness.
REXT	9	<b>External Resistor</b> Connect a 46.4kΩ, 1% resistor from REXT to AGND.
TOFF	10	<b>Off-Time Set Input</b> A resistor from TOFF to AGND controls the constant off time for the Color-Adjust string floating buck converter, where $R_{TOFF} = t_{OFF} * (90.9 \times 10^9)$ , with $t_{OFF}$ in seconds and $R_{TOFF}$ in Ohms. For example, an off time of 0.5μs results in a resistor value of 45.3kΩ (to the nearest 1% value).
DNC	11	Do Not Connect Do not make external connection to DNC.
CGND	12	Connect to Ground Connect CGND to AGND.
CS	13	<b>Current Sense Input for the Color-Adjust String</b> Connect CS to the external current sense resistor of the Color-Adjust string. The current sense threshold is 200mV.
PGND	14	Power Ground PGND is the ground connection for the FET gate drivers. Connect PGND to AGND close to the MSL2021.
DRV	15	<b>Gate Drive for Color-Adjust (Floating Buck Regulator) MOSFET</b> Connect DRV to the gate of the external power MOSFET.
PVIN	16	<b>Power Voltage Input</b> PVIN powers DRV, the floating buck FET gate driver. Bypass PVIN to PGND with a 1.0μF or greater capacitor.
S	18	<b>Source Sense Input for Main LED String MOSFET</b> Connect S to the source of the external MOSFET, and to the current sense resistor for the Main LED string. The current sense threshold is 200mV.
G	19	<b>Gate Output for Main String MOSFET</b> Connect G to the gate of the Main string external MOSFET.
D	20	<b>Drain Output for Main String MOSFET</b> Connect D to the drain of the Main string external MOSFET.
AVIN	21	<b>Analog Voltage Input</b> AVIN is the power input to the MSL2021. Bypass AVIN to AGND with a 1.0μF or greater capacitor placed close to AVIN.
VCC	22	5V Internal Voltage Connect 10uF bypass capacitor from VCC to AGND.
AGND	23	Analog Ground Connect AGND to system ground.
VDD	24	<b>2.5V Internal Voltage</b> Connect 10uF bypass capacitor from VDD to AGND.
EP	EP	<b>Exposed Pad</b> EP is the Main thermal path for heat to escape the die. Connect EP to a large copper plane connected to PGND and AGND.

## 8. Typical Application Circuit

MSL2021 controlling the output of an isolated PFC controller; a linear current sink regulates the white LED string current and a floating buck converter regulates the color LED string current.

Figure 8-1. Typical application circuit



## 9. Detailed Description

The MSL2021 drives two LED strings, the main string and the color-adjust string. The main string LEDs are typically white and used to provide accurate light intensity control. The color-adjust string LEDs are used to control the color temperature. The combined light output is a blended high CRI light, for example, than what white LEDs can alone produce. The main string is directly controlled by a Pulse Width Modulated (PWM) constant current controller (current sink to ground). An Efficiency Optimizer (EO) output controls the main string voltage, via feed-back to the LED string power supply, to minimize the voltage across the LED current controller, minimizing power loss.

The color-adjust string is regulated by a floating buck controller. The buck controller converts the voltage of the main string's supply to a voltage appropriate for the color-adjust LEDs. Additionally, the MSL2021 has a programmable 8-bit registers that allows adjustment of the current by changing the source feedback reference voltages (see "Block Diagram" on page 11).

## 10. Fault Conditions

The MSL2021 detects fault conditions, and takes corrective action when faults are verified.

String open circuit and LED short circuit conditions of the color-adjust string are monitored. When one of these faults occurs, FLTB pulls low to indicate a fault condition and the color-adjust LEDs turn off. Read Fault Status register 0x23 to determine the fault type. Clear these faults by toggling EN low then high. Faults that persist re-establish the fault response. Mask string faults using Fault Disable register 0x22.

For the main LED string, when an open LED occurs, the voltage of the AC/DC or DC/DC input power supply reaches the maximum allowed.

Over-temperature protection puts the device to sleep when the die temperature is above 133°C. The device turns back on when the die temperature falls below 118°C, and normal operation resumes. While asleep, the I<sup>2</sup>C interface remains active; see “[Fault Disable register \(FAULT, 0x22\)](#)” and “[Fault Status register \(FAULTSTAT, 0x23\), Read Only](#)” on page 29 for more information about thermal shutdown.

**Table 10-1. Fault Conditions, Response and Recovery**

Fault	Response	Recovery action
Die Temperature > 133°C	Asleep (I <sup>2</sup> C still active)	When die temperature falls below 118°C operation resumes as if EN is pulled high
Color-adjust string has shorted LEDs	Color-adjust string turns off, FLTB pulls low, and bit 0 of the Fault Status register 0x23 sets high	Correct the short condition in LED string. Toggle EN low to high to resume operation
Color-adjust string is open circuit	Color-adjust string turns off, FLTB pulls low, and bit 1 of the Fault Status register 0x23 sets high	Correct the open condition in LED string. Toggle EN low to high resume operation

## 11. Applications Information

### 11.1 Turn-On Sequence

The MSL2021 waits for 250ms after power is applied to allow the AC/DC or DC/DC input supply to establish the default voltage. Then the MSL2021 starts to optimize the LED string voltage ( $V_{LED}$ ), and then starts to drive the LED strings. It is critical that the AC/DC or DC/DC converter that powers the LED strings reaches its nominal output voltage in less than 250ms after power is applied. When the 250ms start-up delay is complete, the efficiency optimizer adjusts the LED voltage to the proper level to drive the main string. After the voltage is set, normal PWM operation begins for both the main and color-adjust strings. This turn-on sequence allows the light to come up at the proper color and intensity without flashing or flicker.

### 11.2 Setting the Main String Current with $R_S$

The Main string LED on-current regulates by monitoring the voltage at the S pin, the main string MOSFET source resistor connection. The default feedback voltage at the S pin is 200mV. Choose the string current sense resistor  $R_S$  using:

$$R_S = \frac{0.2}{I_{LED}} \Omega$$

where  $I_{LED}$  is the main string regulation current. The main string reference voltage (MREF) register 0x20 sets the feedback voltage, to 200mV, at 2mV per LSB. The regulation voltage,  $V_{S(FB)}$ , is:

$$V_{S(FB)} = (0.002 \cdot MREF)V$$

where MREF is the decimal equivalent of the value in register 0x20. The default value for MREF is 0x64, for a feedback voltage of 0.2V. Change the feedback voltage by changing the value in register 0x20 using the serial interface. LED average current is within  $\pm 3\%$  of the targeted value when a 1% resistor is used for  $R_S$ .

### 11.3 Setting AC/DC Output Voltage

The efficiency optimizer output, FBO, connects to the AC/DC or DC/DC converter's output voltage feedback node, and pulls current from the node to force the converter's output voltage up. The MSL2021 works with any input power converter topology that uses a resistor divider to set its output voltage. Operation with a AC/DC PFC converter is described below.

Select the two resistors that set the nominal AC/DC LED power supply's output voltage by first determining the minimum output voltage using:

$$V_{OUT(MIN)} \leq (V_{fMIN}) \cdot (N) + 0.2V$$

where  $V_{fMIN}$  is the minimum LED forward voltage for the Main string LEDs at the expected LED current, N is the number of LEDs in the string, and 0.2V is the minimum overhead required for the current sense resistor and the FET. Then determine the maximum output voltage using:

$$V_{OUT(MAX)} = (V_{fMAX}) \cdot (N) + 1.2V$$

where  $V_{fMAX}$  is the maximum LED forward voltage for the Main string LEDs at the operating LED current, N is the number of LEDs in the string, and 1.2V is the maximum overhead required for the current sense resistor and the FET. Determine the value for the upper voltage setting resistor using:

$$R_{TOP} \geq \frac{V_{OUT(MAX)} - V_{OUT(MIN)}}{170 \cdot 10^{-6}} \Omega$$

where 170 $\mu$ A is the minimum FBO full scale current. Determine the lower resistor using:

$$R_{BOTTOM} = R_{TOP} \cdot \frac{V_{FB}}{V_{OUT(MIN)} - V_{FB}} \Omega$$

where  $V_{FB}$  is the feedback regulation voltage of the switch mode converter.

### 11.4 Selecting the Main String MOSFET

The Main string MOSFET sinks the string current to ground through current sense resistor  $R_S$ . Output of pin G drives the gate of the MOSFET at up to  $V_{IN} - 2V$ . Select a MOSFET with a maximum drain-source voltage of at least 20% above:

$$V_{fb} \left( \frac{R_{TOP}}{R_{BOTTOM}} + 1 \right) + 340\mu A \cdot R_{TOP}$$

where 340 $\mu$ A is the maximum FBO full scale current.

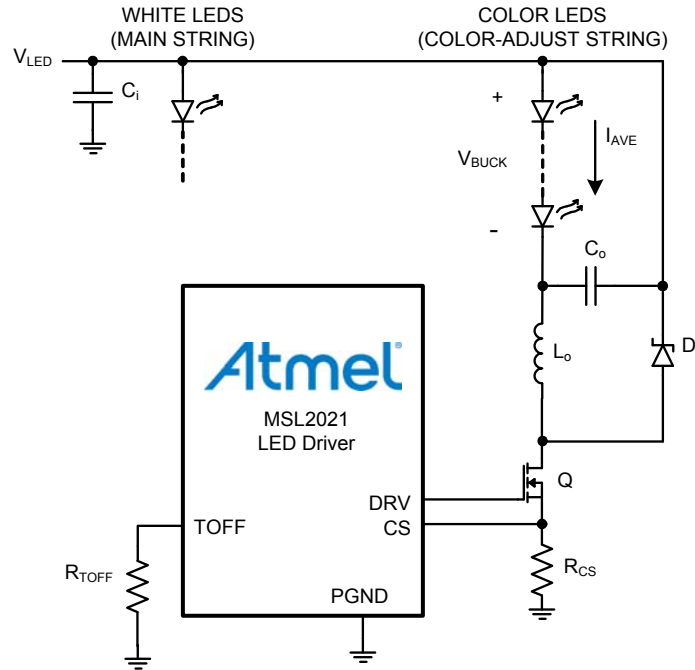
### 11.5 Selecting the Drain Resistor – $R_D$

The drain resistor,  $R_D$ , connects the MSL2021 to the drain of the main string external MOSFET. Use a 100k $\Omega$  for  $R_D$ .



## 11.6 Selecting the Color-Adjust String Floating Buck Components

Figure 11-1. Floating buck LED driver



The MSL2021 includes a driver for a constant off-time floating buck topology, shown in [Figure 11-1](#), to convert the main string voltage to a value appropriate for the color-adjust LED string. The buck is operated in continuous conduction mode.

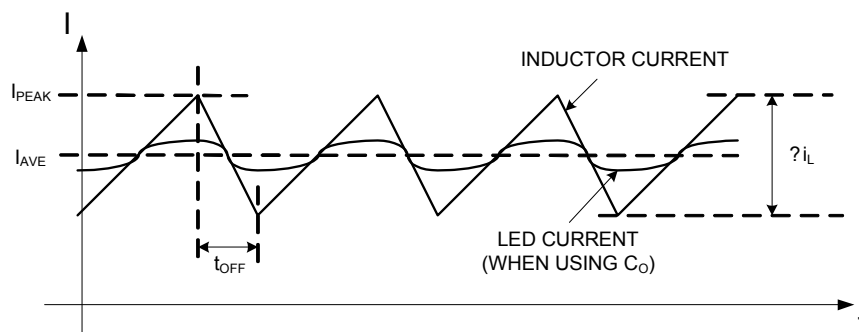
Continuous conduction operation is assured when the peak-to-peak ripple current in the inductor,  $\Delta i_L$ , is less than twice the average LED current. A peak-to-peak ripple current magnitude of 15% of the average LED on-current is suggested, i.e.

$$\Delta i_L \leq 0.15 I_{AVE} \text{ A}$$

where  $I_{AVE}$  is the average color-adjust LED string on-current. Choose  $I_{AVE}$  appropriate for the color-adjust LEDs ([Figure 11-1 on page 17](#) and [Figure 11-2 on page 18](#)) and calculate the peak string on-current using

$$I_{PEAK} = I_{AVE} + \frac{\Delta i_L}{2} \text{ A}$$

Figure 11-2. Color-adjust string LED on-current details.



The color-adjust string LED on-current regulates by monitoring the voltage at CS, the color-adjust string FET source resistor connection. The reference voltage  $V_{CSFB}$  for CS is 200mV ( $V_{CSFB}$  is 200mV by default, and is adjustable through the serial interface; see the register definitions for details about changing  $V_{CSFB}$ ). Choose the current sense resistor  $R_{CS}$  using

$$R_{CS} = \frac{V_{CSFB}}{I_{PEAK}} \Omega$$

Determine  $V_{BUCK}$ , the voltage across the color-adjust LEDs, using

$$V_{BUCK} = NV_f \text{V}$$

where  $N$  is the number of LEDs in the string and  $V_f$  is the forward voltage drop of the LEDs at  $I_{PEAK}$ .

The duty ratio of MOSFET Q is

$$D = \frac{V_{BUCK}}{V_{LED}}$$

where  $V_{LED}$  is the main string voltage, [Figure 11-1 on page 17](#). The constant off-time of the MOSFET is  $t_{off}$  and calculated in seconds using

$$t_{off} = \frac{1-D}{f_s} \text{ s}$$

where  $f_s$  is the selected switching frequency in Hz. Use 100kHz to 1MHz for  $f_s$ . Set  $t_{off}$  with resistor  $R_{TOFF}$  from TOFF to GND ([Figure 11-1 on page 17](#)), whose value is

$$R_{t_{off}} = t_{off}(90.9 \cdot 10^9) \Omega$$

Choose the inductor value using

$$L_O = \frac{V_{BUCK} \cdot t_{off}}{\Delta i_L} \text{ H}$$

Use a ferrite inductor with a saturation current at least 50% higher than the peak current flowing in it:

$$I_{L_{SAT}} > 1.5 \cdot I_{PEAK} \text{ A}$$

Note here a particular advantage of constant off-time operation of the buck converter is that ripple current is independent of the input voltage. The circuit provides a constant average LED current,  $I_{AVE}$ , but the buck converter actually regulates the peak inductor current,  $I_{PEAK}$  ([Figure 11-1 on page 17](#) and [Figure 11-2 on page 18](#)). From the equation for the inductor value  $L_O$  above, we see that because  $t_{off}$  is constant, and  $V_{BUCK}$  is relatively constant, the ripple current  $\Delta i_L$  is also constant, so that  $I_{AVE}$  is a constant, as desired. If the main string voltage changes, the switching frequency changes to keep the on-time constant, thus the ripple current is independent of the input voltage.

This topology does not require an output capacitor,  $C_o$  in [Figure 11-1 on page 17](#). When used,  $C_o$  steers the inductor's ripple current away from the LEDs but reduces the accuracy of PWM dimming because the voltage across it cannot change quickly. When using  $C_o$ , a ceramic capacitor of between 1.0 $\mu$ F and 10 $\mu$ F is adequate, with a voltage rating higher than  $V_{BUCK}$ .

The output capacitor of the AC/DC converter that produces the main string voltage,  $C_i$  in [Figure 11-1 on page 17](#), doubles as the buck's input capacitor. The capacitor's function is to provide a smooth voltage to the buck converter. It should be able to handle the R.M.S. ripple current of the buck converter, which is approximately equal to

$$I_{C_i} = I_{AVE} \sqrt{D(1-D)} \text{ A}$$

This ripple current peaks at a duty ratio of  $D = 0.5$ .

Select an N-channel MOSFET for Q with a maximum drain-source voltage at least 25% above  $V_{LED}$ . The R.M.S. current in the MOSFET is approximately equal to

$$I_Q = I_{AVE} \sqrt{D} \text{ A}$$

The MOSFET conduction power loss due to this current is

$$P_{CON} = I_Q^2 R_{DS} = I_{AVE}^2 R_{DS} D \text{ W}$$

where  $R_{DS}$  is the hot on-resistance of the MOSFET, which can be found in the MOSFET datasheet, and is typically 1.5 to 1.8 times greater than the cold resistance. The MOSFET will also incur switching losses, which can be difficult to calculate exactly. A good rule-of-thumb is to choose a MOSFET in a package that dissipates at least four times  $P_{CON}$ .

The average current in the output rectifier  $D_1$  is

$$I_{D_1} = I_{AVE}(1-D) \text{ A}$$

and the power dissipated in the rectifier due to conduction is

$$P_{CON_{D_1}} = I_{D_1} V_{on} \text{ W}$$

where  $V_{on}$  is the voltage drop across the rectifier at the forward current of  $I_{D_1}$ . Pick a rectifier with an average current rating at least 50% higher than  $I_{D_1}$ . Use a Schottky rectifier if the LED voltage is less than 50V. The Schottky rectifier's voltage rating should be at least 25% higher than  $V_{LED}$ . Schottky rectifiers have very low on-state voltage and very fast switching speed, but at high voltage and high temperatures their leakage current becomes significant. The power dissipated in the Schottky rectifier due to the leakage current at any temperature and duty ratio is

$$P_{lkg} = V_{LED} I_r D \text{ W}$$

where  $I_r$  is the reverse leakage current, found in the diode's datasheet. This power must be added to the conduction power loss.

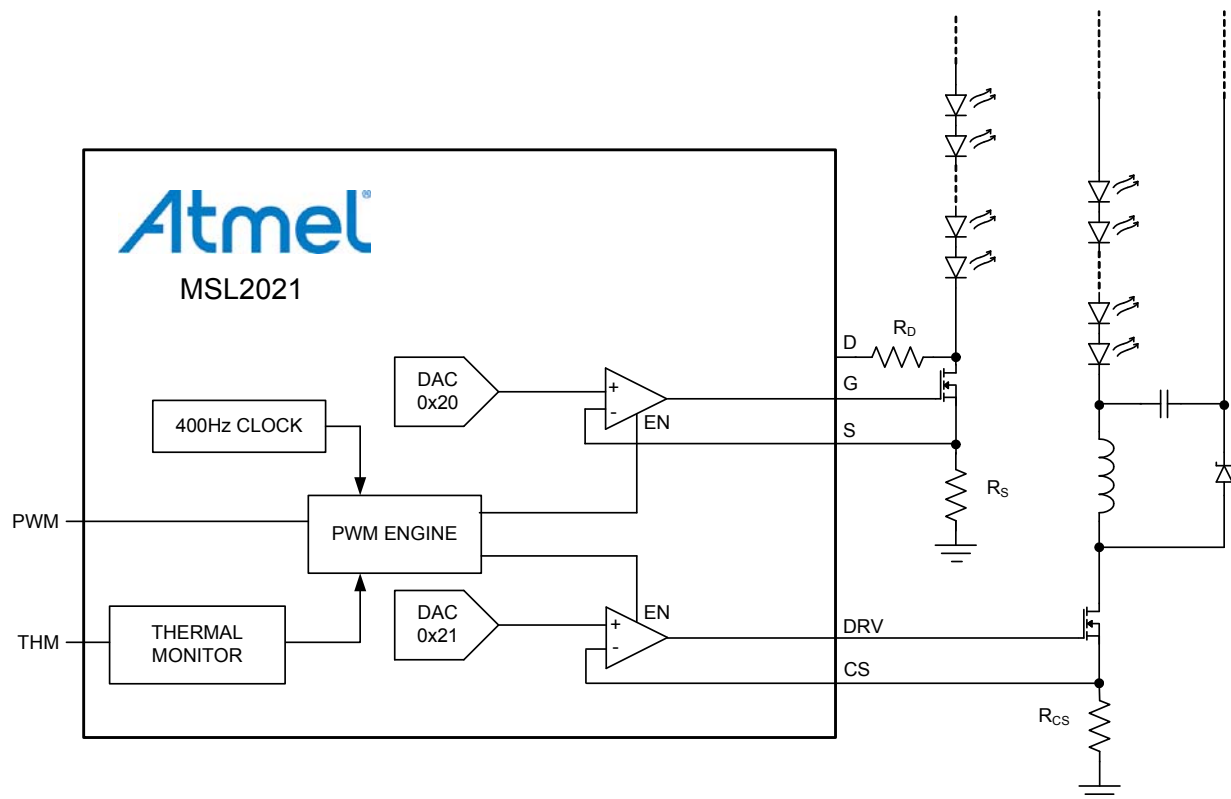
$$P_{D_1} = P_{CON_{D_1}} + P_{lkg} \text{ W}$$

Make sure that the rectifier's total power dissipation is within the rectifier's specifications.

## 11.7 PWM and LED Brightness

The “Block Diagram” on page 11 shows how the MSL2021 controls the brightness of the LEDs. The duty cycle of the main string equals the duty cycle of the input signal at PWM. The PWM input accepts an input signal frequency of 60Hz to 10kHz, while the LED dimming frequency, of both the main and color-adjust strings, is 400Hz. The duty cycle of the color-adjust string is based on the duty cycle of the signal at the PWM input, but compensated for temperature based on a programmable look-up table, whose defaults are presented in Table 11-2 on page 21. See “Light Color and the THM Input” on page 20 for temperature adjustment information.

Figure 11-3. LED current and duty cycle control.



## 11.8 Light Color and the THM Input

The overall color of the light generated by the two LED strings is a blend of the main string's white LEDs and the color-adjust string's color LEDs. Brightness is primarily controlled by the duty cycles of the PWM signals driving the LEDs. The brightness of white LEDs is relatively constant over temperature, but the brightness of color LEDs may drop significantly as temperature increases. The main string's PWM duty cycle is fixed at the duty cycle of the input PWM signal, but the duty cycle of the color-adjust string is changed as the LED temperature changes, to keep the blended light color constant.

The thermistor input, THM, monitors the temperature of an external thermistor connected from THM to ground. A fixed current is forced out THM to generate a voltage that is proportional to the thermistor's temperature. The THM voltage is measured by a 8-bit ADC internal to the MSL2021. When used with the suggested thermistor (ERT-J0EG103FA or equivalent) in series with a 1.5k $\Omega$  resistor, THM measures temperatures from 18°C to 80°C with 2°C resolution, for 32 different temperature values. When the temperature is below 18°C, 18°C is returned by the temperature monitor circuit. When the temperature is above 80°C, 80°C is returned by the temperature monitor circuit. The temperature information is fed to the color-adjust string's duty cycle circuit.

The MSL2021 modifies the color-adjust string duty cycle using a look-up table. Default values are presented in Table 11-1; each location in the table corresponds to one temperature. The modification value is stored in the table as an 8-bit color-adjust duty cycle ratio (SDCR). The SDCR, a number from 0 to 255, is divided by 255, and multiplied by the duty cycle of the incoming PWM signal. The result is the duty cycle of the color-adjust string. The table is programmable through the serial interface when values different from the defaults are desired.

**Table 11-1. Temperature based duty cycle modification of the color-adjust string**

Part	COLOR-ADJUST DUTY CYCL TEMPERATURE ADJUSTMENT	Limits
MSL2021	$DC_{CA} = \frac{SDCR_{xx}}{255} \cdot DC_{PWM}$	SDCR <sub>xx</sub> = VALUE IN LOOK-UP TABLE 0x00 THRU 0x1F SDCR <sub>xx</sub> = 0xFF RETURNS 100% OF THE PWM DUTY CYCLE SDCR <sub>xx</sub> = 0x00 RETURNS 0% OF THE PWM DUTY CYCLE

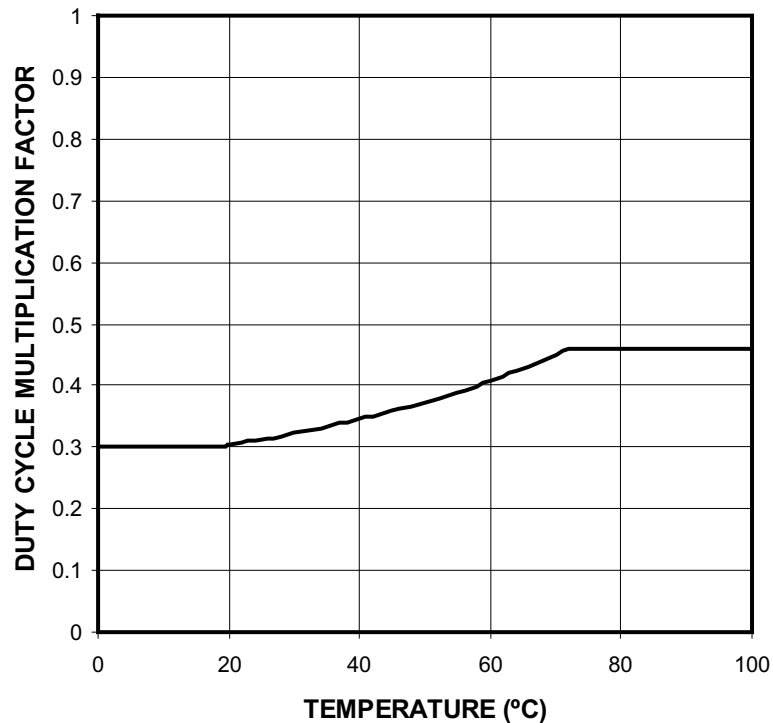
**Table 11-2. Temperature Look-Up Table Defaults<sup>(1)</sup>**

Temperature (°C)	Register			Multiplication factor $\frac{SDCR_{xx}}{255}$
	Address	Name	Default Value	
≤18	0x00	SDCR18	0x4C	0.300
20	0x01	SDCR20	0x4D	0.303
22	0x02	SDCR22	0x4E	0.307
24	0x03	SDCR24	0x4F	0.311
26	0x04	SDCR26	0x50	0.314
28	0x05	SDCR28	0x51	0.318
30	0x06	SDCR30	0x52	0.322
32	0x07	SDCR32	0x53	0.327
34	0x08	SDCR34	0x54	0.331
36	0x09	SDCR36	0x55	0.336
38	0x0A	SDCR38	0x56	0.340
40	0x0B	SDCR40	0x58	0.345
42	0x0C	SDCR42	0x59	0.350
44	0x0D	SDCR44	0x5A	0.355
46	0x0E	SDCR46	0x5C	0.361
48	0x0F	SDCR48	0x5D	0.367
50	0x10	SDCR50	0x5E	0.373
52	0x11	SDCR52	0x60	0.379
54	0x12	SDCR54	0x62	0.385
56	0x13	SDCR56	0x63	0.392
58	0x14	SDCR58	0x65	0.399

Temperature (°C)	Register			Multiplication factor $\frac{SDCR_{xx}}{255}$
	Address	Name	Default Value	
60	0x15	SDCR60	0x67	0.406
62	0x16	SDCR62	0x69	0.414
64	0x17	SDCR24	0x6B	0.422
66	0x18	SDCR66	0x6D	0.431
68	0x19	SDCR68	0x70	0.440
70	0x1A	SDCR70	0x72	0.450
72	0x1B	SDCR72	0x72	0.460
74	0x1C	SDCR74	0x72	0.460
76	0x1D	SDCR76	0x72	0.460
78	0x1E	SDCR78	0x72	0.460
≥80	0x1F	SDCR70	0x72	0.460

Note: 1. Change SDCRxx values through the serial interface

Figure 11-4. MSL2021 default look-up Table color correction vs. temperature.



## 11.9 MSL2021 Look-Up Table Lockout Procedure

The MSL2021 features a lock for the look-up table. When locked, the table's registers (0x00 through 0x1F) become read-only. A locked table cannot be unlocked; changing the table's registers is no longer possible. Reads of a locked table's registers return 0x00, unless the password (chosen when locking the table) is first entered to make the registers visible.

Locking the table requires use of the I<sup>2</sup>C interface to enter data, read data and program the EEPROM. For information about using the I<sup>2</sup>C interface, see ["I<sup>2</sup>C Serial Interface" on page 31](#). For information about programming the EEPROM see ["EEPROM Address and Control/Status Registers" on page 26](#).

Lock the table by performing the following sequence; an example is presented below:

1. Fill the look-up table with data.
2. Commit the look-up table to EEPROM.
3. Cycle power, then verify the contents of the look-up table.
4. Choose a 16-bit password.
5. Enter the password into Password Registers 0x68 and 0x69.
6. Enter the password into Password Verification Registers 0x38 and 0x39.
7. Commit the password to EEPROM.
8. Set the lock bit.
9. Commit the lock bit to EEPROM.
10. Cycle power to the MSL2021.

### 11.9.1 Example:

The Look-Up Table is four pages long (each page is 8-bytes). When the look-up table is filled with the proper data, commit the data to the EEPROM, one page at a time, by sending the following commands to the MSL2021 through its I<sup>2</sup>C interface:

```
0x60 0x00 {to register 0x60 write 0x00: sets the EEPROM write pointer to 0x00}
```

```
0x61 0x04 {to register 0x61 write 0x04: writes the first page (8 bytes) of data to the EEPROM}
```

```
Wait 5ms.
```

```
0x61 0x00 {to register 0x61 write 0x00 : disables EEPROM writing}
```

```
0x60 0x08 {sets the EEPROM write pointer to 0x08}
```

```
0x61 0x04 {writes the second page of data to the EEPROM}
```

```
Wait 5ms.
```

```
0x61 0x00 {disables EEPROM writing}
```

```
0x60 0x10 {sets the EEPROM write pointer to 0x10}
```

```
0x61 0x04 {writes the third page of data to the EEPROM}
```

```
Wait 5ms.
```

```
0x61 0x00 {disables EEPROM writing}
```

```
0x60 0x18 {sets the EEPROM write pointer to 0x18}
```

```
0x61 0x04 {writes the final page of data to the EEPROM}
```

```
Wait 5ms.
```

0x61 0x00 {disables EEPROM writing}

The EEPROM is now programmed with the data that are in registers 0x00 through 0x1F (the look-up table). Although not required, now is a good time to cycle power to the MSL2021, then read registers 0x00 through 0x1F to verify that the EEPROM was properly programmed (at power-up the EEPROM automatically programs registers 0x00 through 0x40).

Next, choose a 16-bit password and write it into the Password Registers, and into the Password Verification Registers. For this example the password is 0xAA55:

0x68 0xAA

0x69 0x55 {writes the password into the password registers 0x68 and 0x69}

0x38 0xAA

0x38 0x55 {writes the same password into the password verification registers 0x38 and 0x39}

Now commit the password to EEPROM.

0x60 0x68 {sets the EEPROM write pointer to 0x68}

0x61 0x03 {writes the first byte of the password to the EEPROM}

Wait 5ms.

0x61 0x00 {disables EEPROM writing}

0x60 0x69 {sets the EEPROM write pointer to 0x69}

0x61 0x03 {writes the second byte of the password to the EEPROM}

Wait 5ms.

0x61 0x00 {disables EEPROM writing}

Next, set the lock bit and commit it to EEPROM.

0x3A 0x02 {sets the lock bit (bit D1) in register 0x3A}

0x60 0x3A {sets the EEPROM write pointer to 0x3A}

0x61 0x03 {writes the contents of register 0x3A to the EEPROM}

Wait 5ms.

0x61 0x00 {disables EEPROM writing}

Now cycle power to the MSL2021. All reads of the Look-Up Table now return 0x00.

To read the Table, enter the password into the password verification registers:

0x38 0xAA

0x39 0x55 {writes the password into registers 0x38 and 0x39}



Reads of the Look-Up Table now return its true contents, until the password register is changed, power is cycled or enable input EN is toggled.

## 12. Control Registers

Table 12-1. Register map<sup>(1)</sup>

Address and Register name		Function	Default value <sup>(2)</sup>	Bit functions							
				D7	D6	D5	D4	D3	D2	D1	D0
0x00	SDCR18	Look up for 18°C	0x4C	Look up table							
0x01	SDCR20	Look up for 20°C	0x4D	Look up table							
...thru...				...thru...							
0x1E	SDCR78	Look up for 78°C	0x72	Look up table							
0x1F	SDCR80	Look up for 80°C	0x72	Look up table							
0x20	MREF	Main String Feedback Reference Voltage	0x64	MS <sub>REF</sub> = 2mV per LSB							
0x21	CAREF	Color-Adjust String Reference Feedback Voltage	0x64	V <sub>CAREF</sub> = 2mV per LSB							
0x22	FAULT DISABLE	Color-Adjust Fault Disable	0x00	-	-	-	-	-	TSDMASK	OCDIS	SCDIS
0x23	FAULTSTAT	Fault Status	Read Only	-	-	-	-	-	TSD	OCFLT	SCFLT
0x24	SLEEP	Configuration	0x00	-	-	-	-	-	-	-	SLEEP
0x31	TEMP	Temperature	Read Only	Thermistor temperature							
0x38	PWV(HIGH)	Look-Up Table Password Verification High Byte	0xFF	Look-Up Table Password Verification [15:8]							
0x39	PWV(LOW)	Look-Up Table Password Verification Low Byte	0xFF	Look-Up Table Password Verification [7:0]							
0x3A	LUT LOCK	Look-Up Table Lock	0x83	-	-	-	-	-	-	LOCK[1:0]	
0x40	EOCTRL	Efficiency Optimizer	0xE5	-	-	-	-	DThresh[3:0]			
0x60	E2ADDR	EEPROM Address	0x00	-	EEPROM Address Pointer						
0x61	E2CTRL	EEPROM Control	0x00	-	-	-	-	-	RWCTRL[2:0]		
0x68	PW(HIGH)	Look-Up Table Password High Byte	0xFF	Look-Up Table Password [15:8]							
0x69	PW(LOW)	Look-Up Table Password Low Byte	0xFF	Look-Up Table Password [7:0]							

- Notes:
1. Do not change the contents of undefined bits or unlisted registers.
  2. Unless changed through the EEPROM, these default values load at power-up, and when EN is taken from low to high.

## 12.1 EEPROM and Power-Up Defaults

An on-chip EEPROM holds all the default register values. At power-up the data in the EEPROM is transferred directly to control registers 0x00 thru 0x51, setting up the device for operation.

Any changes made to registers 0x00 thru 0x69 after power-up are not reflected in the EEPROM and are lost when power is removed from the device, or when the enable input EN is forced low. If a different power-up condition is desired program the values into the EEPROM via the serial interface as explained in the next section, or contact the factory to inquire about ordering a customized power-up setting.

## 12.2 EEPROM Address and Control/Status Registers

The EEPROM can be visualized as an image of the control registers from 0x00 thru 0x69. Change an EEPROM register value by writing the new value into the associated control register, and then instructing the device to program that value into the EEPROM. Two control registers facilitate this process, the EEPROM address register E2ADDR (0x60), and the EEPROM control register E2CTRL (0x61). Into E2ADDR write the location of the data that is to be programmed into the EEPROM, and write 0x03 to E2CTRL to command the device to program that data into the EEPROM. Programming the EEPROM takes a finite amount of time; after sending a command to E2CTRL wait 5ms, then end the write cycle by writing 0x00 to E2CTRL.

**Example:** Change the string current feedback voltage MREF to 100mV.

**Commands:** To register 0x20 (MREF) write 0x32 (the new value for MREF). To register 0x60 (E2ADDR) write 0x20 (the address of the MREF register). To register 0x61 (E2CTRL) write 0x03 (the command to copy the value to EEPROM). Wait 5ms. To register 0x61 (E2CTRL) write 0x00, to turn off EEPROM access.

**Result:** The value 0x32, located in the MREF register, is programmed into the EEPROM and becomes the new power-up default value for MREF.

### Summary:

0x20 32

0x60 20

0x61 03

Wait 5ms

0x61 00

E2CTRL provides additional functions beyond simply programming a register's value into the EEPROM. Data may be transferred in either direction, from the registers to the EEPROM, or from the EEPROM to the registers. Register data may be transferred into or out of the EEPROM in groups of eight, a page at a time. The page address boundaries are predefined, and E2ADDR must be loaded with the address of the first byte of the page that is to be copied. Page addresses begin at 0x00 and increment by eight, with the second page beginning at 0x08, the third at 0x10, etc. To program a full page of data into the EEPROM, write the address of the page's first byte to E2ADDR, and write 0x04 to E2CTRL. Wait 5ms, and then end the write cycle by writing 0x00 to E2CTRL. When finished accessing the EEPROM always write 0x00 to E2CTRL to block inadvertent EEPROM read/writes. [Table 12-2 on page 26](#) details the functions available through E2CTRL.

**Table 12-2. EEPROM Address Register (E2ADDR, 0x60), defaults highlighted.**

Register	Address	Register data							
		D7	D6	D5	D4	D3	D2	D1	D0
E2ADDR	0x60	-	E2ADDR[6:0]						
	<b>DEFAULT</b>	<b>0</b>	<b>0</b>	<b>0</b>	<b>0</b>	<b>0</b>	<b>0</b>	<b>0</b>	<b>0</b>
	EEPROM Minimum Address 0x00	-	0	0	0	0	0	0	0
	EEPROM Maximum Address 0x51	-	1	0	1	0	0	0	1

Table 12-3. EEPROM Status Register (E2CTRL, 0x61), defaults highlighted.

Register	Address	Register data							
		D7	D6	D5	D4	D3	D2	D1	D0
E2CTRL	0x61	-	-	-	-	-	RWCTRL[2:0]		
<b>DEFAULT</b>		<b>0</b>	<b>0</b>	<b>0</b>	<b>0</b>	<b>0</b>	<b>0</b>	<b>0</b>	<b>0</b>
<b>EEPROM Read / Write Disabled</b>		x	x	x	x	x	<b>0</b>	<b>0</b>	<b>0</b>
Read 1 Byte from EEPROM		x	x	x	x	x	0	0	1
Read 8 Bytes from EEPROM		x	x	x	x	x	0	1	0
Write 1 Byte to EEPROM		x	x	x	x	x	0	1	1
Write 8 Bytes to EEPROM		x	x	x	x	x	1	0	0
Unused		x	x	x	x	x	1	0	1
		x	x	x	x	x	1	1	x

## 13. Detailed Register Descriptions

The MSL2021 registers are summarized in “Control Registers” on page 25. Detailed register information follows.

### 13.1 String Duty Cycle Control Registers (SDCR18 through SDCR80, 0x00 through 0x1F)

Holds the look-up table for the thermistor color-adjust string duty cycle correction. See “Light Color and the THM Input” on page 20 for information. Put the device to sleep using SLEEP register 0x24 before modifying the SDCR values to avoid undesired changes in the light output of the LEDs.

Table 13-1. String Duty Cycle Control Registers (SDCR18 through SDCR80, 0x00 through 0x1F), defaults highlighted

Register name	Address	Register data							
		D7	D6	D5	D4	D3	D2	D1	D0
SDCR18 through SDCR80	0x00 – 0x1F	SDCR[7:0]							
<b>DEFAULT (See Table 11-2 on page 21)</b>		<b>X</b>	<b>X</b>	<b>X</b>	<b>X</b>	<b>X</b>	<b>X</b>	<b>X</b>	<b>X</b>
Correction factor = 0		0	0	0	0	0	0	0	0
Correction factor = 1		1	1	1	1	1	1	1	1

### 13.2 Main String Reference Voltage register (MREF, 0x20)

Holds the DAC value that controls the reference voltage for the main string FET source feedback voltage. The reference voltage equals decimal value of this register times 2mV. The default value for MSREF is 0x64, which equates to  $MS_{REF} = 200\text{mV}$ .

**Table 13-2. Main String Reference register (MREF, 0x20), defaults highlighted**

Register name	Address	Register data							
		D7	D6	D5	D4	D3	D2	D1	D0
MREF	0x20	MREF[7:0]							
<b>DEFAULT: <math>M_{REF} = 100 * 2mV = 200mV</math></b>		<b>0</b>	<b>1</b>	<b>1</b>	<b>0</b>	<b>0</b>	<b>1</b>	<b>0</b>	<b>0</b>
$M_{REF} = 0 * 2mV = 0V$		0	0	0	0	0	0	0	0
$M_{REF} = 255 * 2mV = 510mV$		1	1	1	1	1	1	1	1

### 13.3 Color-Adjust String Reference Voltage register (CAREF, 0x21)

Holds the DAC value that controls the reference voltage for the color-adjust string FET source feedback voltage. The reference voltage equals decimal value of this register times 2mV. The default value for CASREF is 0x64, which equates to  $CA_{REF} = 200mV$ .

**Table 13-3. Color-Adjust String Reference register (CAREF, 0x21), defaults highlighted**

Register name	Address	Register data							
		D7	D6	D5	D4	D3	D2	D1	D0
CAREF	0x21	CAREF[7:0]							
<b>DEFAULT: <math>V_{CAREF} = 100 * 2mV = 200mV</math></b>		<b>0</b>	<b>1</b>	<b>1</b>	<b>0</b>	<b>0</b>	<b>1</b>	<b>0</b>	<b>0</b>
$V_{CAREF} = 0 * 2mV = 0mV$		0	0	0	0	0	0	0	0
$V_{CAREF} = 255 * 2mV = 510mV$		1	1	1	1	1	1	1	1

### 13.4 Fault Disable register (FAULT, 0x22)

Bits D0 and D1 control the fault response for the color-adjust string. For fault response behavior see “[Fault Conditions](#)” on page 15. Bit D2 prevents the thermal shutdown fault from pulling FLTB low. Write 0x03 to this register to clear faults; write 0x00 to re-enable fault response.

**Table 13-4. Fault Disable register (FAULT, 0x22), defaults highlighted**

Register name	Address	Register data							
		D7	D6	D5	D4	D3	D2	D1	D0
FAULT	0x22	-	-	-	-	-	TSDMASK	OCDIS	SCDIS
<b>DEFAULT</b>		<b>0</b>	<b>0</b>	<b>0</b>	<b>0</b>	<b>0</b>	<b>0</b>	<b>1</b>	<b>1</b>
Act on faults		x	x	x	x	x	0	0	0
Disable LED Short Circuit Fault		x	x	x	x	x	x	x	1
Disable String Open Circuit Fault		x	x	x	x	x	x	1	x
Do Not Allow Thermal Shutdown Fault to Pull FLTB Low		x	x	x	x	x	1	x	x

### 13.5 Fault Status register (FAULTSTAT, 0x23), Read Only

Reports the fault status for the color-adjust string. When a fault is reported in this register, the fault output FLTB pulls low. Toggle EN low, then high to clear the faults. Faults recur if the fault persists.

Table 13-5. Fault Status register (FAULTSTAT, 0x23), defaults highlighted

Register name	Address	Register data							
		D7	D6	D5	D4	D3	D2	D1	D0
FAULTSTAT	0x23	-	-	-	-	-	TSD	OCFLT	SSFLT
No Faults Detected		x	x	x	x	x	x	0	0
LED Short Circuit Fault Detected		x	x	x	x	x	x	x	1
String Open Circuit Fault Detected		x	x	x	x	x	x	1	x
The MSL2021 is in Thermal Shutdown		x	x	x	x	x	1	x	x

### 13.6 Sleep register (SLEEP, 0x24)

Puts the device to sleep (the serial interface remains awake). When asleep, device supply current reduces to 7mA (typical), the gate drive outputs stop switching, and the LEDs turn off.

Table 13-6. Sleep register (SLEEP, 0x24), defaults highlighted

Register name	Address	Register data							
		D7	D6	D5	D4	D3	D2	D1	D0
SLEEP	0x24	-	-	-	-	-	-	-	SLEEP
<b>DEFAULT</b>		<b>0</b>	<b>0</b>	<b>0</b>	<b>0</b>	<b>0</b>	<b>0</b>	<b>0</b>	<b>0</b>
Device is Awake		x	x	x	x	x	x	x	0
Device is Asleep		x	x	x	x	x	x	x	1

### 13.7 Thermistor Temperature register (TEMP, 0x31), Read Only

Reports the thermistor temperature at 2C per LSB. When the thermistor temperature is equal to or below 18°C, this register returns 0x12, or 18°C. When the thermistor temperature is equal to or above 80°C, this register returns 0x50, or 80°C.

Table 13-7. Thermistor Temperature register (TEMP, 0x31), defaults highlighted

Register name	Address	Register name							
		D7	D6	D5	D4	D3	D2	D1	D0
TEMP	0x31	TEMP[7:0]							
Minimum Value: 0x12 = 18°C		0	0	0	1	0	0	1	0
Maximum Value: 0x50 = 80°C		0	1	0	1	0	0	0	0

### 13.8 Password Verification registers (PWV(HIGH) and PWV(LOW), 0x38 and 0x39)

Use these registers when locking the look-up table of the MSL2021. Also, enter the password (chosen when the Look-Up Table was locked) into these registers to allow reading the contents of a locked look-up table. See section “MSL2021 Look-Up Table Lockout Procedure” on page 23 for details about locking the look-up table.

**Table 13-8. Password Verification registers (PWV(HIGH and PWV(LOW), 0x38 and 0x39), defaults highlighted**

Register name	Address	Register name							
		D7	D6	D5	D4	D3	D2	D1	D0
PWV(HIGH)	0x38	Password Verification High Byte [15:8]							
PWV(LOW)	0x39	Password Verification Low Byte [7:0]							
<b>DEFAULT</b>		<b>1</b>	<b>1</b>	<b>1</b>	<b>1</b>	<b>1</b>	<b>1</b>	<b>1</b>	<b>1</b>

### 13.9 Look-Up Table Lock register (LUT LOCK, 0x3A)

Use this register to lock the look-up table of the MSL2021. See section “MSL2021 Look-Up Table Lockout Procedure” on page 23 for details about locking the look-up table. At power-up, this register returns 0x02 when the look-up table is locked, and returns 0x83 when the table is unlocked.

**Table 13-9. Look-Up Table Lock register (LUT LOCK, 0x3A), defaults highlighted**

Register name	Address	Register data							
		D7	D6	D5	D4	D3	D2	D1	D0
LUT LOCK	0x3A	-	-	-	-	-	-	-	LOCK
<b>DEFAULT</b>		<b>1</b>	<b>0</b>	<b>0</b>	<b>0</b>	<b>0</b>	<b>0</b>	<b>0</b>	<b>1 1</b>
Locks the Look-Up Table when committed to EEPROM		0	0	0	0	0	0	0	1 0

### 13.10 Efficiency Optimizer Control Register (EOCTRL, 0x40)

Configures voltage feedback threshold for D. It is recommended that SLEEP = 1 (bit D0 in the configuration register 0x24) while changing this register to avoid perturbations of the string power supply. The MSL2021 always performs a power supply voltage calibration when power is applied, EN is taken high, or SLEEP is reset to 0. Do not change bits D4 through D7.

DThresh sets the voltage feedback threshold for D, The Main string FET drain connection.

$$D \text{ Threshold} = (DThresh * 150mV) + 250mV.$$

**Table 13-10. Efficiency Optimizer Control Register (FBOCTRL, 0x40), default highlighted**

Register name	Address / Default	Register data							
		D7	D6	D5	D4	D3	D2	D1	D0
FBOCTRL	0x40	-	-	-	-	DThresh[3:0]			
<b>DEFAULT = 0xE5</b>		<b>1</b>	<b>1</b>	<b>1</b>	<b>0</b>	<b>0</b>	<b>1</b>	<b>0</b>	<b>1</b>
D Threshold = (0 * 150mV) + 250mV = 0.25V		1	1	1	0	0	0	0	0

Register name	Address / Default	Register data							
		D7	D6	D5	D4	D3	D2	D1	D0
...		...							
D Threshold = (5 * 150mV) + 250mV = 1V		1	1	1	0	0	1	0	1
...		...							
D Threshold = (15 * 150mV) + 250mV = 2.5V		x	1	1	0	1	0	1	1

### 13.11 Registers 0x60 and 0x61, EEPROM Access

These registers control access to the EEPROM. See “EEPROM and Power-Up Defaults” and “EEPROM Address and Control/Status Registers” on page 26 for information.

### 13.12 Password registers (PW(HIGH) and PW(LOW), 0x68 and 0x69)

Use these registers to enter the password when locking the look-up table of the MSL2021. See section “MSL2021 Look-Up Table Lockout Procedure” on page 23 for details about locking the look-up table.

**Table 13-11. Password registers (PW(HIGH) and PW(LOW), 0x68 and 0x69), defaults highlighted**

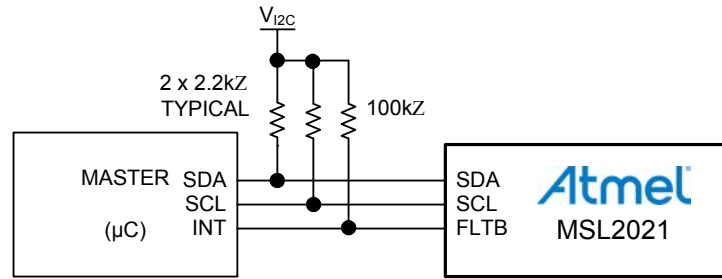
Register name	Address	Register data							
		D7	D6	D5	D4	D3	D2	D1	D0
PWV(HIGH)	0x68	Password High Byte [15:8]							
PWV(LOW)	0x69	Password Low Byte [7:0]							
<b>DEFAULT</b>		<b>1</b>	<b>1</b>	<b>1</b>	<b>1</b>	<b>1</b>	<b>1</b>	<b>1</b>	<b>1</b>

## 14. I<sup>2</sup>C Serial Interface

The MSL2021 operates as a slave that sends and receives data through an I<sup>2</sup>C/SMBus compatible 2-wire serial interface. The interface is not needed for operation, but is provided to allow control and monitoring of device functions. These functions include changing the Look-Up Table and equation parameters, changing the string current reference feedback voltages, reading and adjusting the fault response behavior and status, putting the device to sleep without losing the register settings, and programming the EEPROM. The I<sup>2</sup>C/SMBus compatible interface is suitable for 100kHz, 400kHz and 1MHz communication. The interface uses data I/O SDA and clock input SCL to achieve bidirectional communication between master and slaves. Fault output FLTB optionally alerts the host system to faults detected by the MSL2021 (Figure 14-1 on page 32 and “Fault Conditions” on page 15). During over temperature shutdown (TSD) the serial interface remains active.

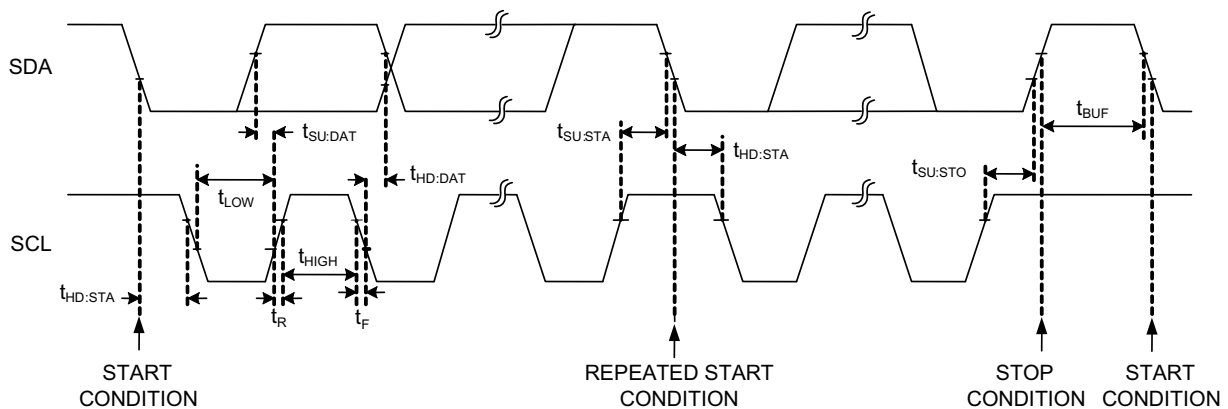
The master, typically a microcontroller, initiates all data transfers, and generates the clock that synchronizes the transfers. SDA operates as both an input and an open-drain output. SCL operates only as an input, and does not perform clock-stretching. Pull-up resistors are required on SDA, SCL and FLTB.

Figure 14-1. I<sup>2</sup>C Interface Connections



A transmission consists of a START condition sent by a master, a 7-bit slave address plus one R/W bit, an acknowledge bit, none or many data bytes each separated by an acknowledge bit, and a STOP condition (Figure 14-2, Figure 14-4 and Figure 14-5 on page 33).

Figure 14-2. I<sup>2</sup>C Serial Interface Timing Details



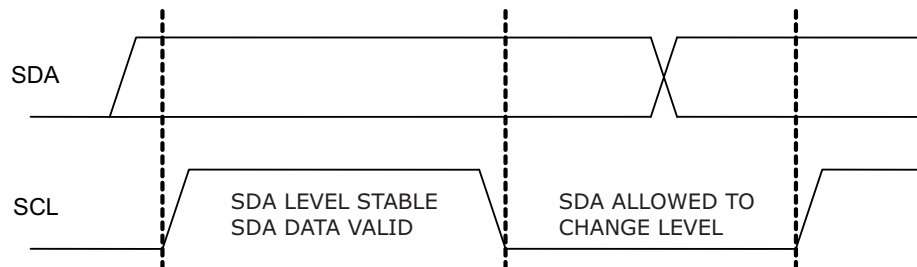
## 14.1 I<sup>2</sup>C Bus Timeout

The bus timeout feature allows the MSL2021 to reset the serial bus interface if a communication ceases before a STOP condition is sent. If SCL or SDA is low for more than 25ms (typical), then the MSL2021 terminates the transaction, releases SDA and waits for another START condition.

## 14.2 I<sup>2</sup>C Bit Transfer

One data bit is transferred during each clock pulse. SDA must remain stable while SCL is high.

Figure 14-3. I<sup>2</sup>C Bit Transfer

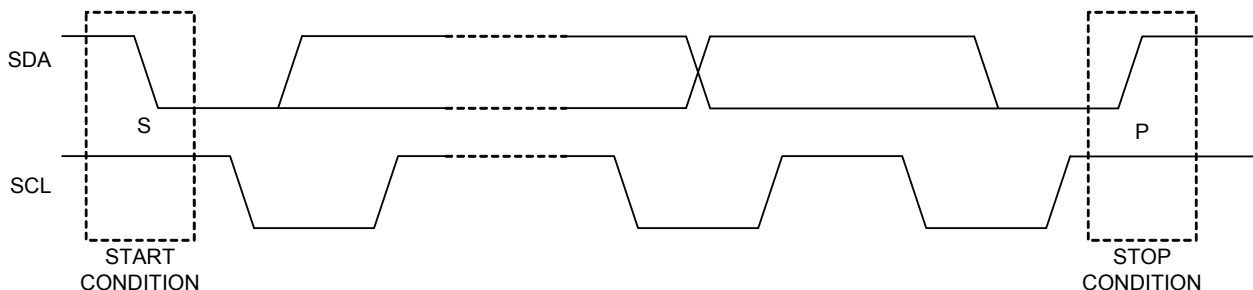




### 14.3 I<sup>2</sup>C START and STOP Conditions

Both SCL and SDA remain high when the interface is free. The master signals a transmission with a START condition (S) by transitioning SDA from high to low while SCL is high. When the master has finished communicating with the slave, it issues a STOP condition (P) by transitioning SDA from low to high while SCL is high. The bus is then free.

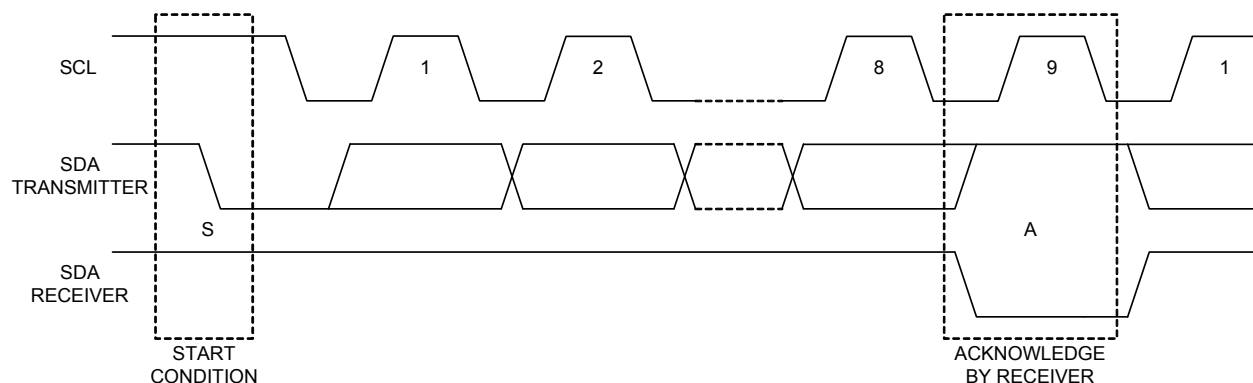
Figure 14-4. I<sup>2</sup>C START and STOP Conditions



### 14.4 I<sup>2</sup>C Acknowledge Bit

The acknowledge bit is a clocked 9th bit which the recipient uses to handshake receipt of each byte of data. The master generates the 9th clock pulse, and the recipient holds SDA low during the high period of the clock pulse. When the master is transmitting to the MSL2021, the MSL2021 pulls SDA low because the MSL2021 is the recipient. When the MSL2021 is transmitting to the master, the master pulls SDA low because the master is the recipient.

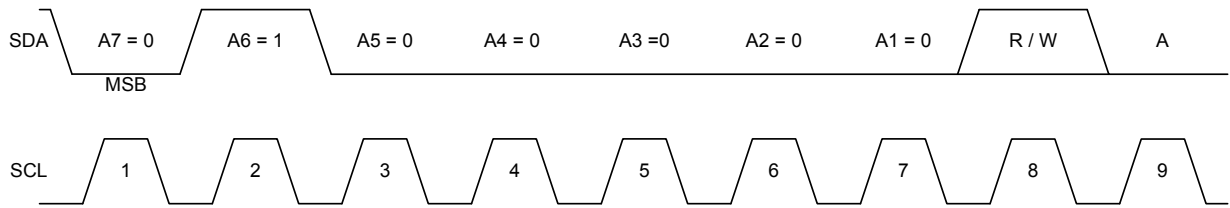
Figure 14-5. I<sup>2</sup>C Acknowledge



### 14.5 I<sup>2</sup>C Slave Address

The MSL2021 has a 7-bit long slave address, 0b0100000, followed by an eighth bit, the R/W bit. The R/W bit is low for a write to the MSL2021, high for a read from the MSL2021. All MSL2021 devices have the same slave address; when using multiple devices and communicating with them through their serial interfaces, make external provision to route the serial interface to the appropriate device. Note that development systems that use I<sup>2</sup>C often left-shift the address one position before they insert the R/W bit, and so expect a default address of 0x20 (not 0x40).

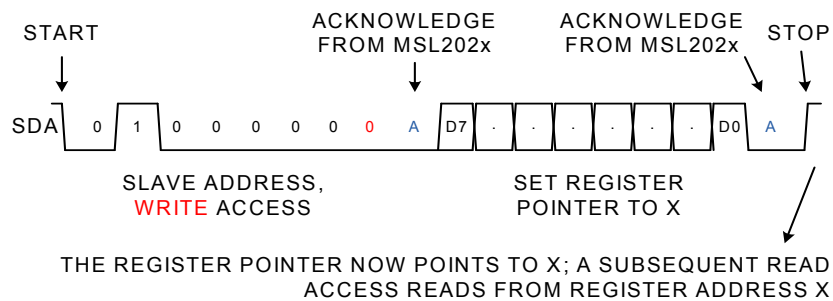
**Figure 14-6. I<sup>2</sup>C Slave Address**



## 14.6 I<sup>2</sup>C Message Format for Writing to the MSL2021

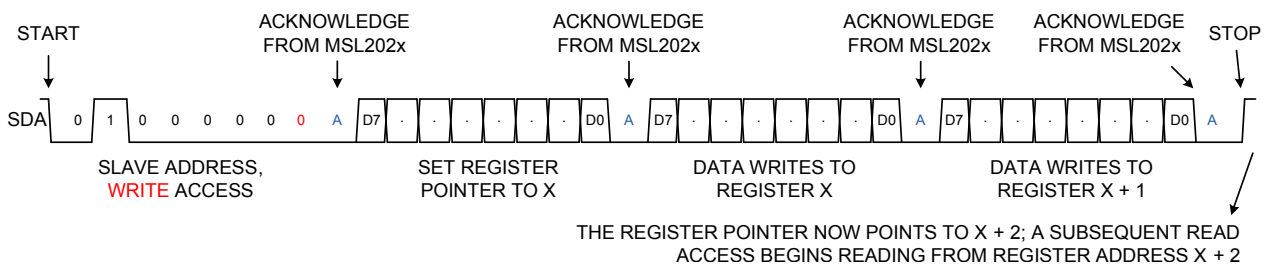
A write to the MSL2021 contains the MSL2021's slave address, the R/W bit cleared to 0, and at least 1 byte of information (Figure 14-7 on page 34). The first byte of information is the register address byte. The register address byte is stored as a register pointer, and determines which register the following byte is written into. If a STOP condition is detected after the register address byte is received, then the MSL2021 takes no further action beyond setting the register pointer.

**Figure 14-7. I<sup>2</sup>C Writing a Register Pointer**



When no STOP condition is detected, the byte transmitted after the register address byte is a data byte, and is placed into the register pointed to by the register address byte (Figure 14-8). To simplify writing to multiple consecutive registers, the register pointer auto-increments during each following acknowledge period. Further data bytes transmitted before a STOP condition fill subsequent registers.

**Figure 14-8. I<sup>2</sup>C Writing Two Data Bytes**



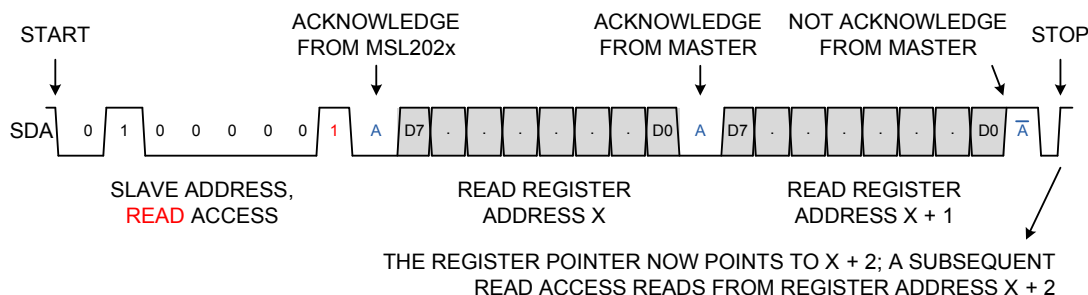
## 14.7 I<sup>2</sup>C Message Format for Reading from the MSL2021

Read the MSL2021 registers using one of two techniques.

The first technique begins the same way as a write, by setting the register address pointer as shown in Figure 14-7, including the STOP condition (note that even though the final objective is to read data, the R/W bit is first sent as a write because the address pointer byte is being written into the device). Follow the Figure 14-7 transaction by what shown in Figure 14-9, with a new START condition and the slave address, this time with the R/W bit set to 1 to indicate a read. Then, after the slave initiated acknowledge bit, clock out as many bytes as desired, separated by master initiated

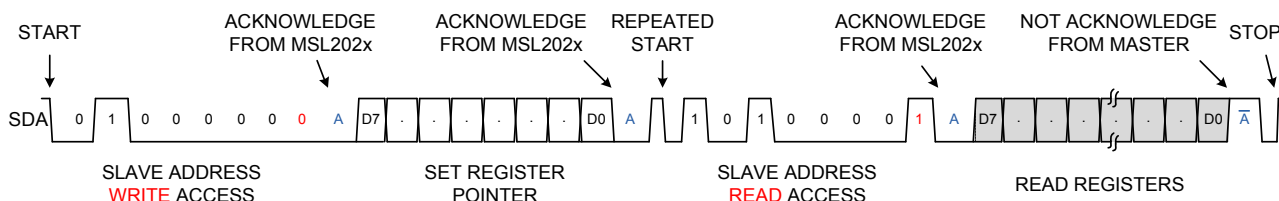
acknowledges. The pointer auto-increments during each master initiated acknowledge period. End the transmission with a not-acknowledge followed by a stop condition.

**Figure 14-9. I<sup>2</sup>C Reading Register Data with Preset Register Pointer**



The second read technique is illustrated in [Figure 14-10](#). Write to the MSL2021 to set the register pointer, send a repeated START condition after the second acknowledge bit, then send the slave address again with the R/W bit set to 1 to indicate a read. Then clock out the data bytes separated by master initiated acknowledge bits. The register pointer auto-increments during each master initiated acknowledge period. End the transmission with a not-acknowledge followed by a stop condition. This technique is recommended for buses with multiple masters, because the read sequence is performed in one uninterrupted transaction.

**Figure 14-10. I<sup>2</sup>C Reading Register Data Using a Repeated START**

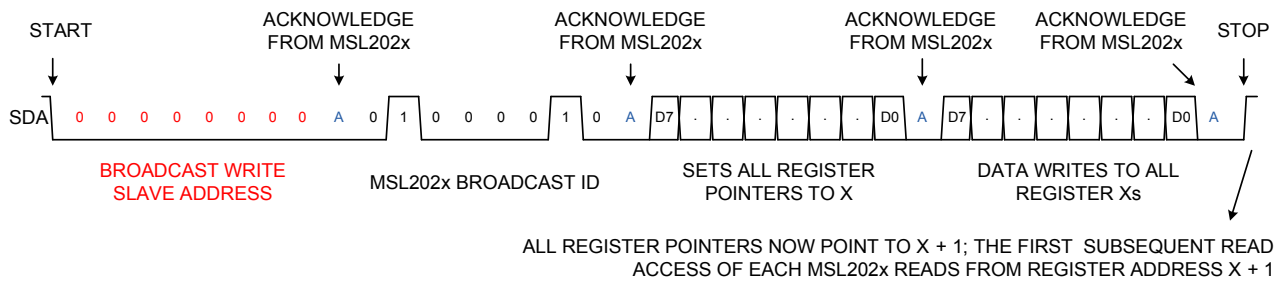


## 14.8 I<sup>2</sup>C Message Format for Broadcast Writing to Multiple devices

With a broadcast write to MSL2021, a master broadcasts the same register data to all MSL2021s on the bus. First send the broadcast write slave address of 0x00, followed by the MSL2021 broadcast device ID of 0x42. These two bytes are followed by the register address in the MSL2021s that the following data are to be written into, and finally the data byte(s) to be written into all devices.

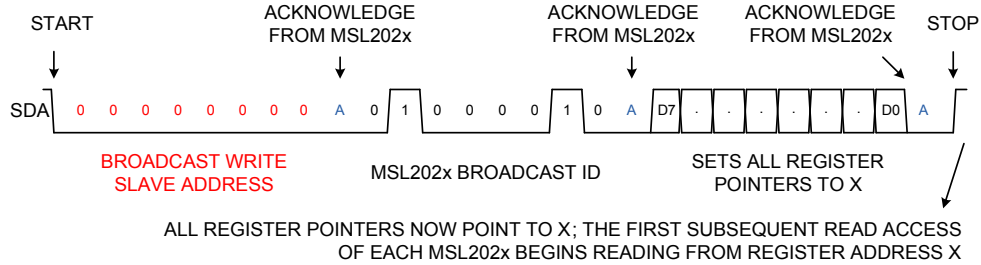
A broadcast write example is shown in [Figure 14-11](#). Here, the same register address in every MSL2021 is written to with identical data. If further data bytes are transmitted before the STOP condition, they are stored in subsequent internal registers of each MSL2021.

**Figure 14-11. I<sup>2</sup>C Broadcast Writing a Data Byte**

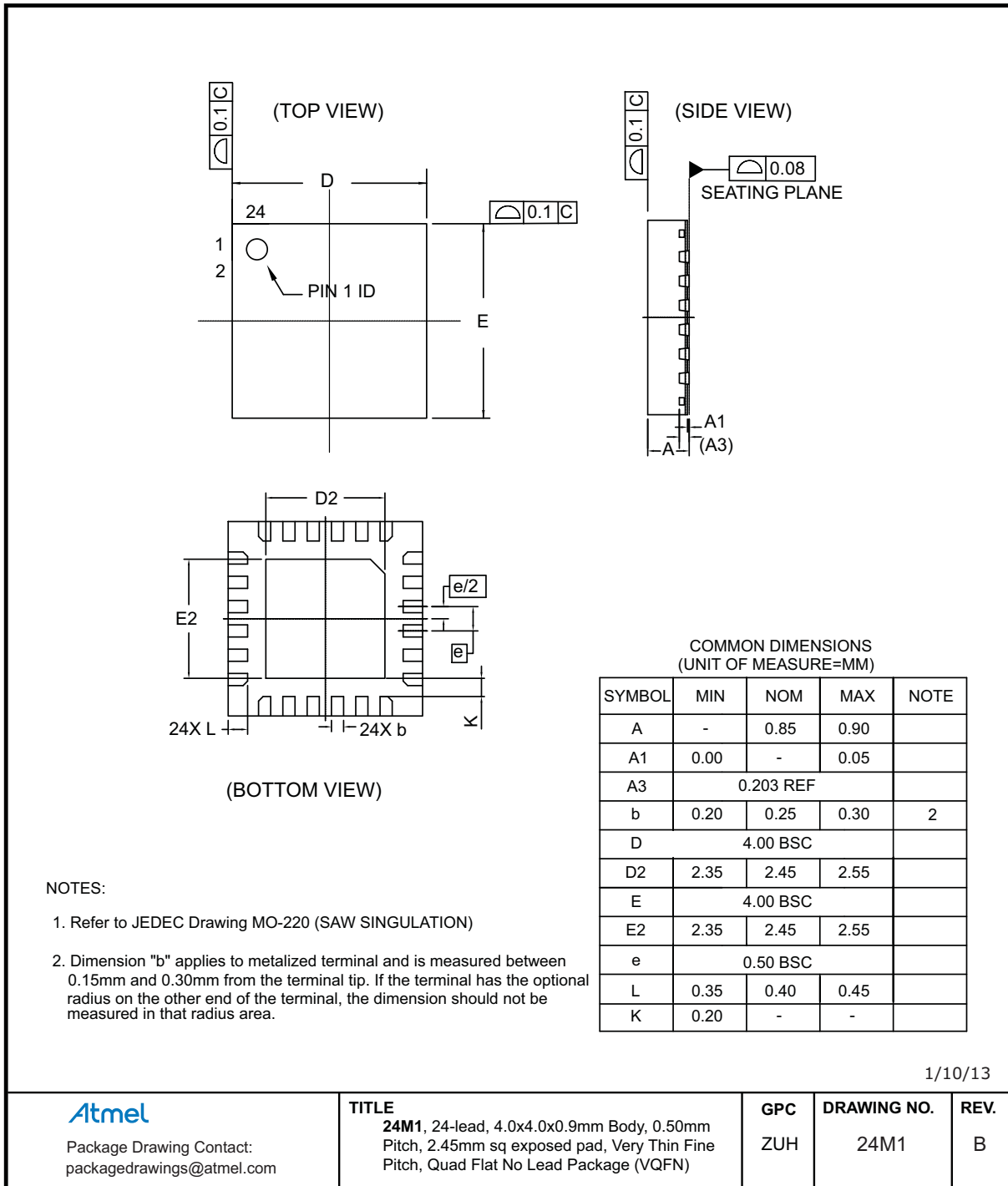


There is no broadcast read. However, a broadcast write may be used to set up the internal register pointers of all the MSL2021s in a system to speed up the subsequent individual reading of, for example, all the status registers. [Figure 14-12](#) illustrates a broadcast write that sets all the register pointers, and issues a STOP.

**Figure 14-12. I<sup>2</sup>C Broadcast Writing a Register Pointer**



## 15. Packaging Information



No representation or warranties are made concerning third-party patents with regard to the use of Atmel® products. The mixing of red LEDs with phosphor-converted LEDs may be protected by certain third-party patents, such as U.S. Patent No. 7,213,940 and related patents of Cree, Inc.

## 16. Datasheet Revision History

### 16.1 42062A – 02/2013

1.	Initial revision.
----	-------------------

Features	1
Typical Applications	1
1. Introduction	2
2. Ordering Information	2
3. Application Circuit	2
4. Absolute Maximum Ratings	3
5. Electrical Characteristics	4
6. Block Diagram	11
7. Pinout and Pin Description	12
7.1 Pinout MSL2021	12
7.2 Pin Descriptions	12
8. Typical Application Circuit	14
9. Detailed Description	14
10. Fault Conditions	15
11. Applications Information	15
11.1 Turn-On Sequence	15
11.2 Setting the Main String Current with RS	15
11.3 Setting AC/DC Output Voltage	16
11.4 Selecting the Main String MOSFET	16
11.5 Selecting the Drain Resistor – RD	16
11.6 Selecting the Color-Adjust String Floating Buck Components	17
11.7 PWM and LED Brightness	20
11.8 Light Color and the THM Input	20
11.9 MSL2021 Look-Up Table Lockout Procedure	23
11.9.1 Example:	23
12. Control Registers	25
12.1 EEPROM and Power-Up Defaults	26
12.2 EEPROM Address and Control/Status Registers	26
13. Detailed Register Descriptions	27
13.1 String Duty Cycle Control Registers (SDCR18 through SDCR80, 0x00 through 0x1F)	27
13.2 Main String Reference Voltage register (MREF, 0x20)	27
13.3 Color-Adjust String Reference Voltage register (CAREF, 0x21)	28
13.4 Fault Disable register (FAULT, 0x22)	28
13.5 Fault Status register (FAULTSTAT, 0x23), Read Only	29
13.6 Sleep register (SLEEP, 0x24)	29
13.7 Thermistor Temperature register (TEMP, 0x31), Read Only	29
13.8 Password Verification registers (PWV(HIGH) and PWV(LOW), 0x38 and 0x39)	30
13.9 Look-Up Table Lock register (LUT LOCK, 0x3A)	30

13.10	Efficiency Optimizer Control Register (EOCTRL, 0x40)	30
13.11	Registers 0x60 and 0x61, EEPROM Access	31
13.12	Password registers (PW(HIGH) and PW(LOW), 0x68 and 0x69)	31
<b>14.</b>	<b>I<sup>2</sup>C Serial Interface</b>	<b>31</b>
14.1	I <sup>2</sup> C Bus Timeout	32
14.2	I <sup>2</sup> C Bit Transfer	32
14.3	I <sup>2</sup> C START and STOP Conditions	33
14.4	I <sup>2</sup> C Acknowledge Bit	33
14.5	I <sup>2</sup> C Slave Address	33
14.6	I <sup>2</sup> C Message Format for Writing to the MSL2021	34
14.7	I <sup>2</sup> C Message Format for Reading from the MSL2021	34
14.8	I <sup>2</sup> C Message Format for Broadcast Writing to Multiple devices	35
<b>15.</b>	<b>Packaging Information</b>	<b>37</b>
<b>16.</b>	<b>Datasheet Revision History</b>	<b>38</b>
16.1	42062A – 01/2013	38

Table of Contents i





Enabling Unlimited Possibilities®

**Atmel Corporation**

1600 Technology Drive  
San Jose, CA 95110  
USA

**Tel:** (+1) (408) 441-0311

**Fax:** (+1) (408) 487-2600

[www.atmel.com](http://www.atmel.com)

**Atmel Asia Limited**

Unit 01-5 & 16, 19F  
BEA Tower, Millennium City 5  
418 Kwun Tong Road  
Kwun Tong, Kowloon  
HONG KONG

**Tel:** (+852) 2245-6100

**Fax:** (+852) 2722-1369

**Atmel Munich GmbH**

Business Campus  
Parkring 4  
D-85748 Garching b. Munich  
GERMANY

**Tel:** (+49) 89-31970-0

**Fax:** (+49) 89-3194621

**Atmel Japan G.K.**

16F Shin-Osaki Kangyo Bldg  
1-6-4 Osaki, Shinagawa-ku  
Tokyo 141-0032  
JAPAN

**Tel:** (+81) (3) 6417-0300

**Fax:** (+81) (3) 6417-0370

© 2013 Atmel Corporation. All rights reserved. / Rev.: 42062A-LED-02/2013

Atmel®, Atmel logo and combinations thereof, Enabling Unlimited Possibilities®, and others are registered trademarks or trademarks of Atmel Corporation or its subsidiaries. Other terms and product names may be trademarks of others.

Disclaimer: The information in this document is provided in connection with Atmel products. No license, express or implied, by estoppel or otherwise, to any intellectual property right is granted by this document or in connection with the sale of Atmel products. EXCEPT AS SET FORTH IN THE ATMEL TERMS AND CONDITIONS OF SALES LOCATED ON THE ATMEL WEBSITE, ATMEL ASSUMES NO LIABILITY WHATSOEVER AND DISCLAIMS ANY EXPRESS, IMPLIED OR STATUTORY WARRANTY RELATING TO ITS PRODUCTS INCLUDING, BUT NOT LIMITED TO, THE IMPLIED WARRANTY OF MERCHANTABILITY, FITNESS FOR A PARTICULAR PURPOSE, OR NON-INFRINGEMENT. IN NO EVENT SHALL ATMEL BE LIABLE FOR ANY DIRECT, INDIRECT, CONSEQUENTIAL, PUNITIVE, SPECIAL OR INCIDENTAL DAMAGES (INCLUDING, WITHOUT LIMITATION, DAMAGES FOR LOSS AND PROFITS, BUSINESS INTERRUPTION, OR LOSS OF INFORMATION) ARISING OUT OF THE USE OR INABILITY TO USE THIS DOCUMENT, EVEN IF ATMEL HAS BEEN ADVISED OF THE POSSIBILITY OF SUCH DAMAGES. Atmel makes no representations or warranties with respect to the accuracy or completeness of the contents of this document and reserves the right to make changes to specifications and products descriptions at any time without notice. Atmel does not make any commitment to update the information contained herein. Unless specifically provided otherwise, Atmel products are not suitable for, and shall not be used in, automotive applications. Atmel products are not intended, authorized, or warranted for use as components in applications intended to support or sustain life.